

TYPICAL SINGLE FAMILY BUILDING ENVELOPE DETAILS.

(DETAILS AND TEXT ARE INTENDED AS A GENERAL REFERENCE GUIDE AND FOR THE
INFORMATIONAL USE OF THE READER.)

Table of Contents

Note: '(RS)' indicates Rainscreen Details

Window Install Sequence

Step 1	6
Step 2	7
Step 3	8
Step 4	9
Step 5	10
Step 6 (RS).....	11

Vinyl Windows

Window Head	12
Window Head (RS).....	13
Window Sill.....	14
Window Sill (RS)	15
Window Jamb.....	16
Window Jamb (RS)	17
Window Sill with Jamb Extension (RS)	18
Window Jamb with Jamb Extension (RS)	19

Doors

Door Head	20
Door Head (RS).....	21
Door Jamb.....	22
Door Jamb (RS)	23

Sliding Door Head (RS).....	24
Sliding Door Jamb (RS).....	25
Sliding Door Sill (RS).....	26

Doors at Decks/Steps

Drip Deck 1.....	27
Drip Deck 2.....	28
Pre-Cast Step.....	29

Base of Wall

Condition 1	30
Condition 2	31
Condition 3	32

Corner Trims

Outside	33
Outside (RS).....	34
Outside Alternate.....	35
Inside	36
Inside (RS)	37
Angled	38
Angled (RS).....	39
Angled Alternate (RS)	40

Cladding Elements

Butt Joint Fibre Cement.....	41
Cross Cavity Flashing	42
Cross Cavity Flashing (RS).....	43

Flashings

End Damns 44
 Through Wall 45
 Corner Cross Cavity 46

Transitions

Saddle 47
 Cap Flashing at Parapet 48
 Deck to Wall 49
 Bay or Box-out 50

Railings

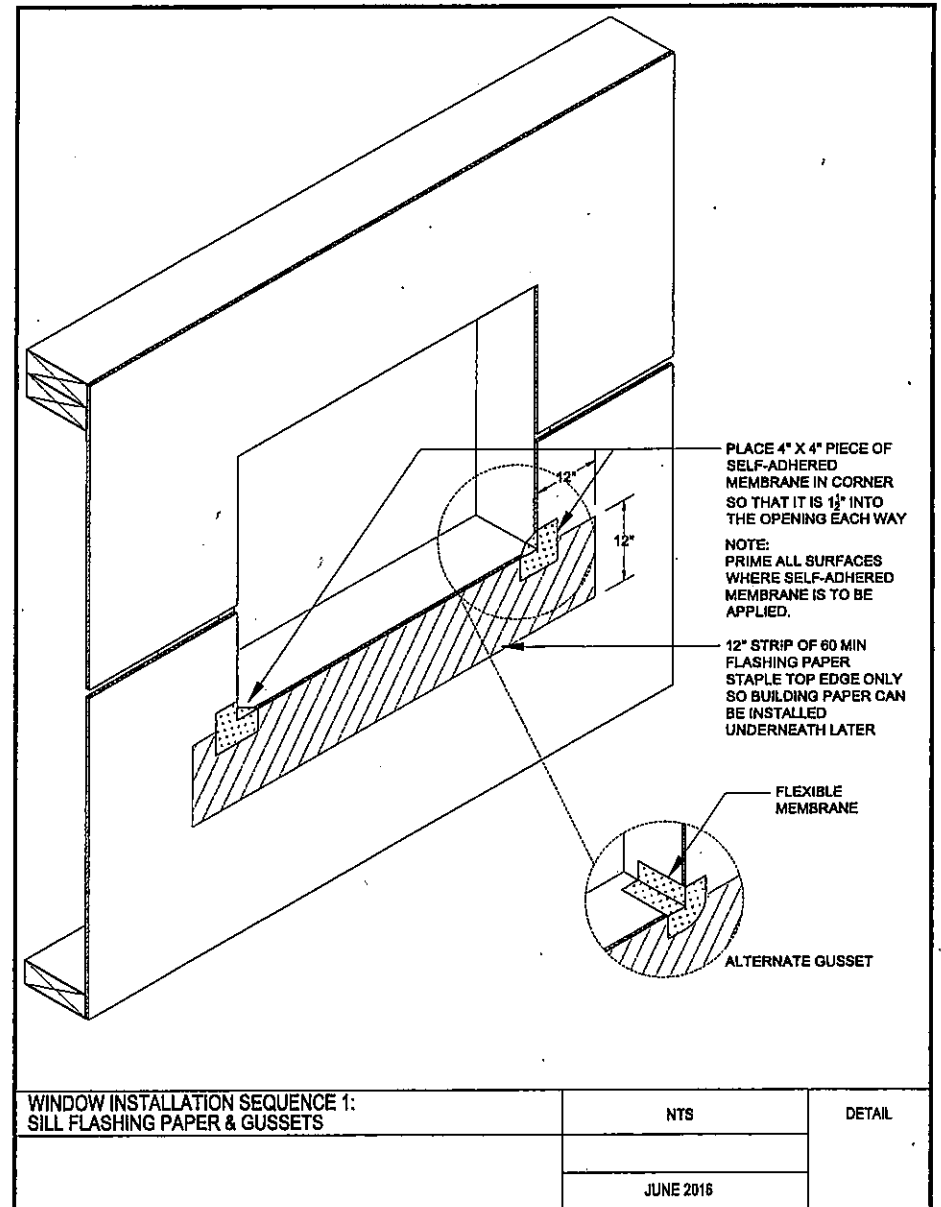
Face Mount 51
 Flat Roof Curb 52
 Top Mount Alternate 53

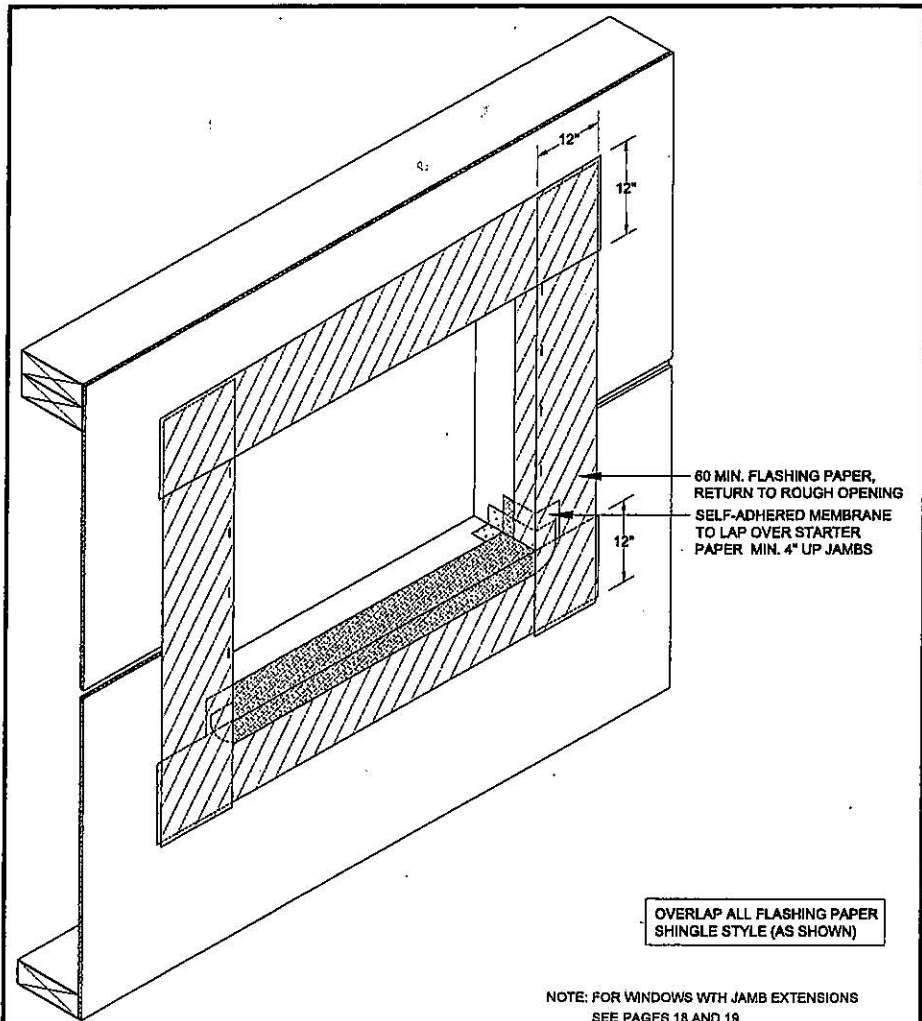
Roofs

Step & Diverter 54
 Roof to Wall 55

Penetrations

Vent Cap 56
 Vent Cap (RS) 57
 Pipe Penetration 58
 Pipe Penetration (RS) 59
 Electrical Box 60



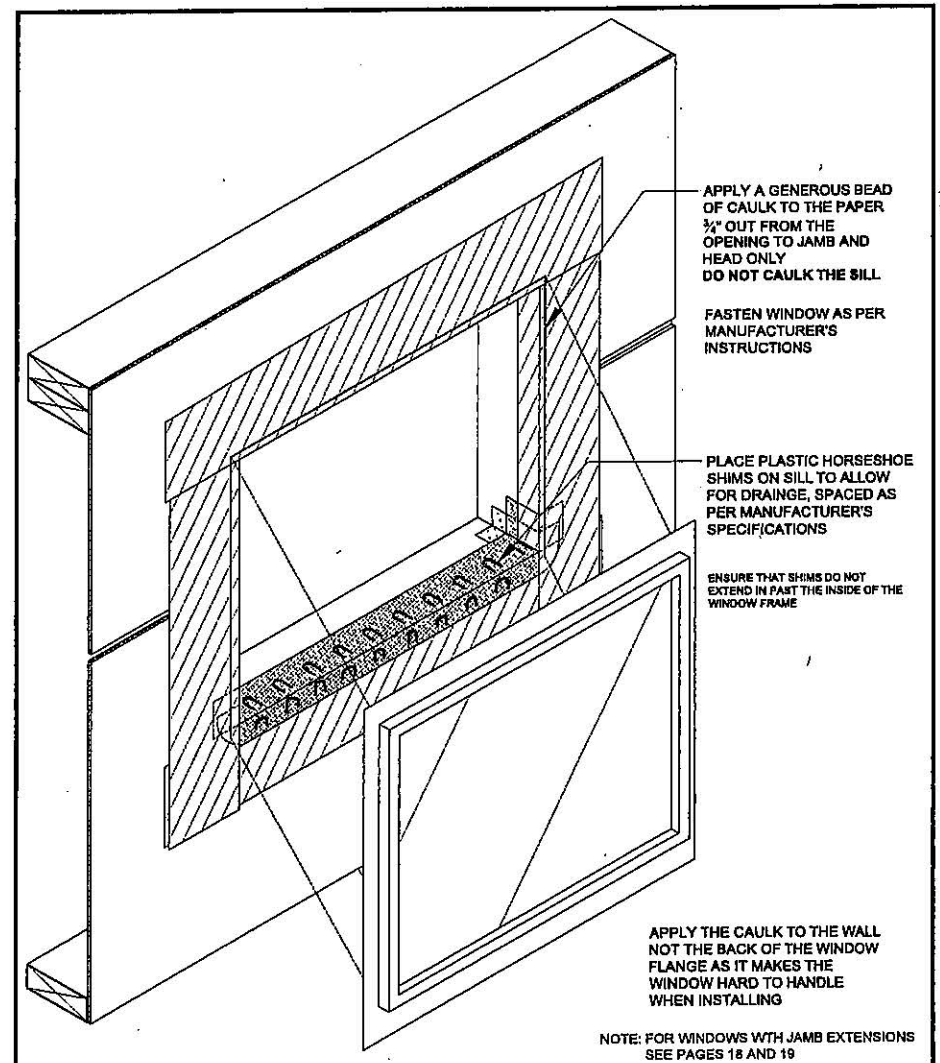


WINDOW INSTALLATION SEQUENCE 2:
PEEL & STICK, FLASHING PAPER

NTS

DETAIL

JUNE 2016

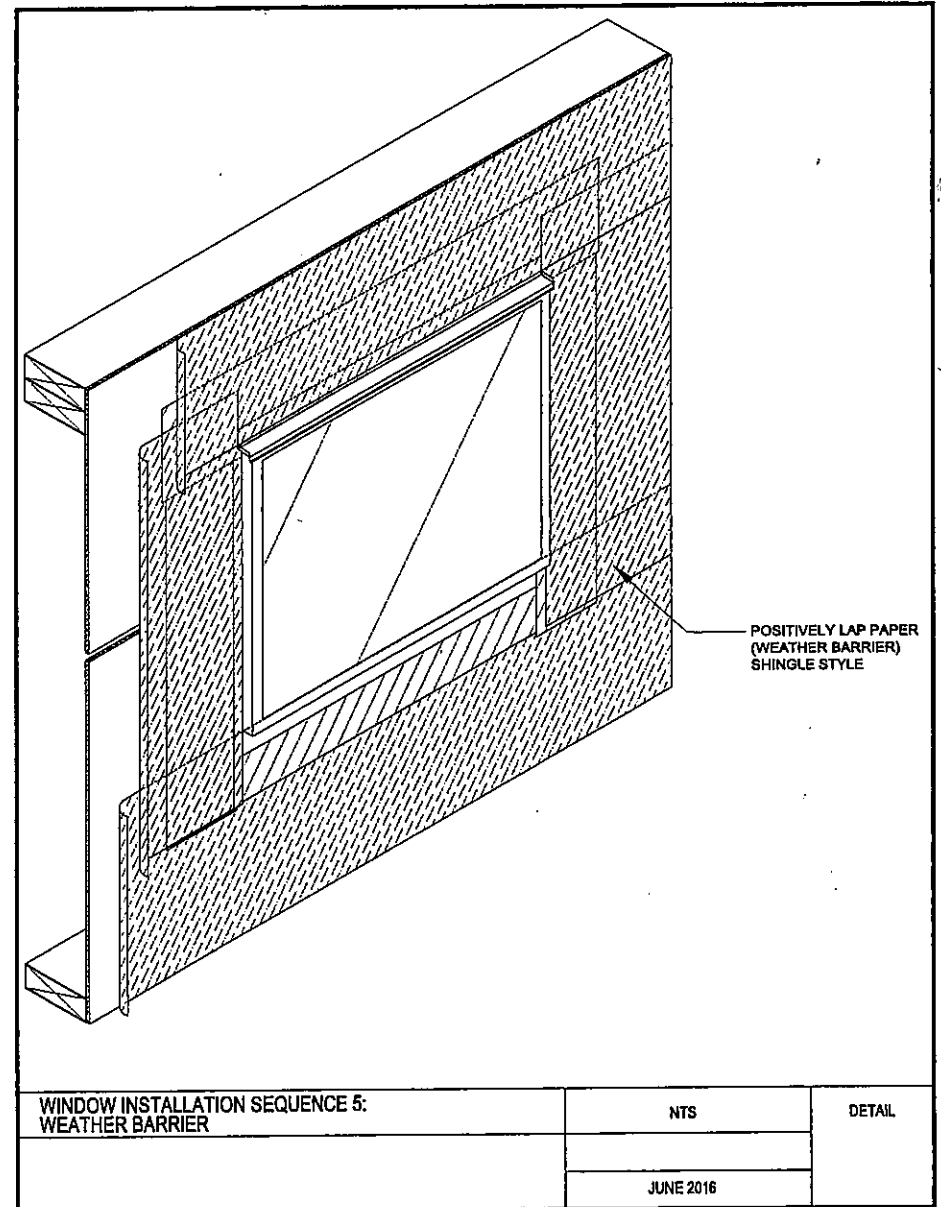
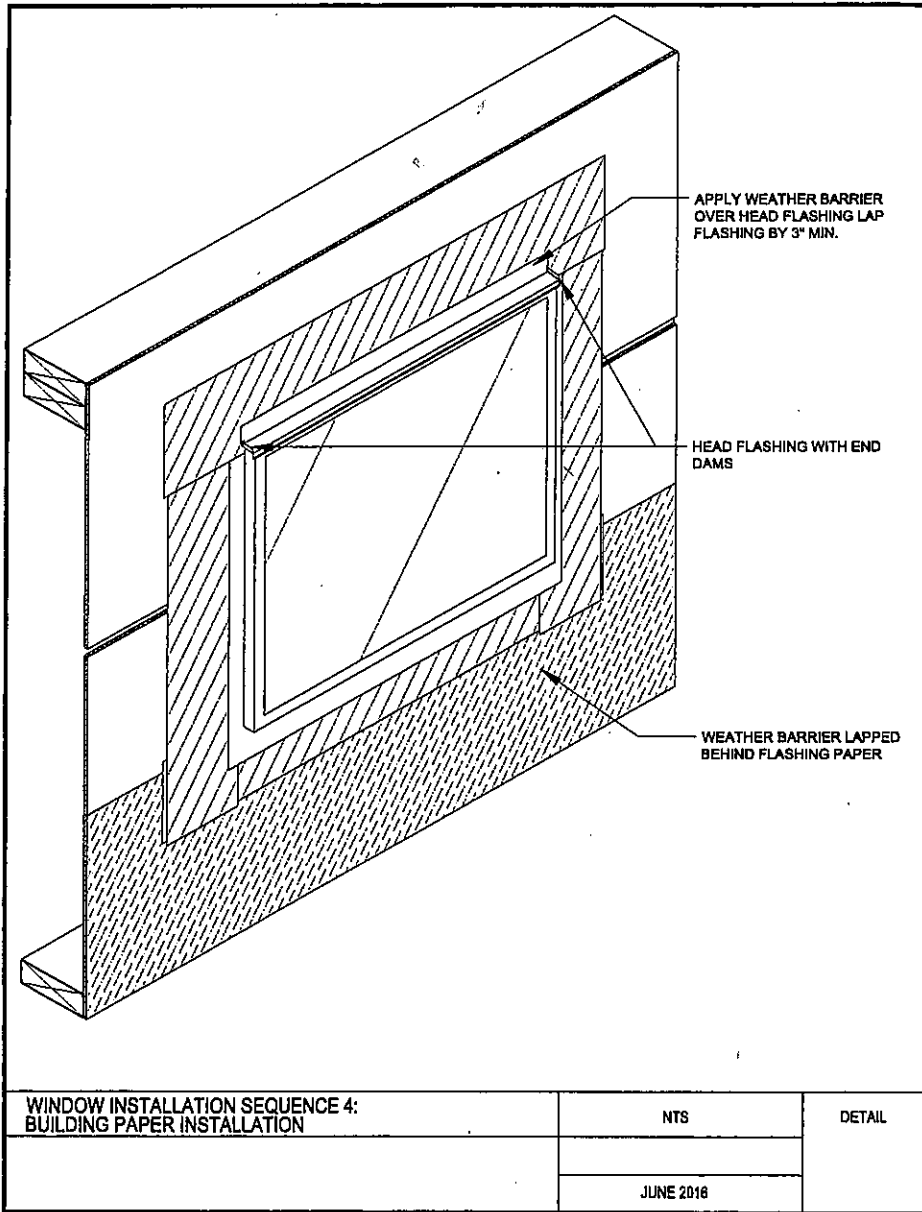


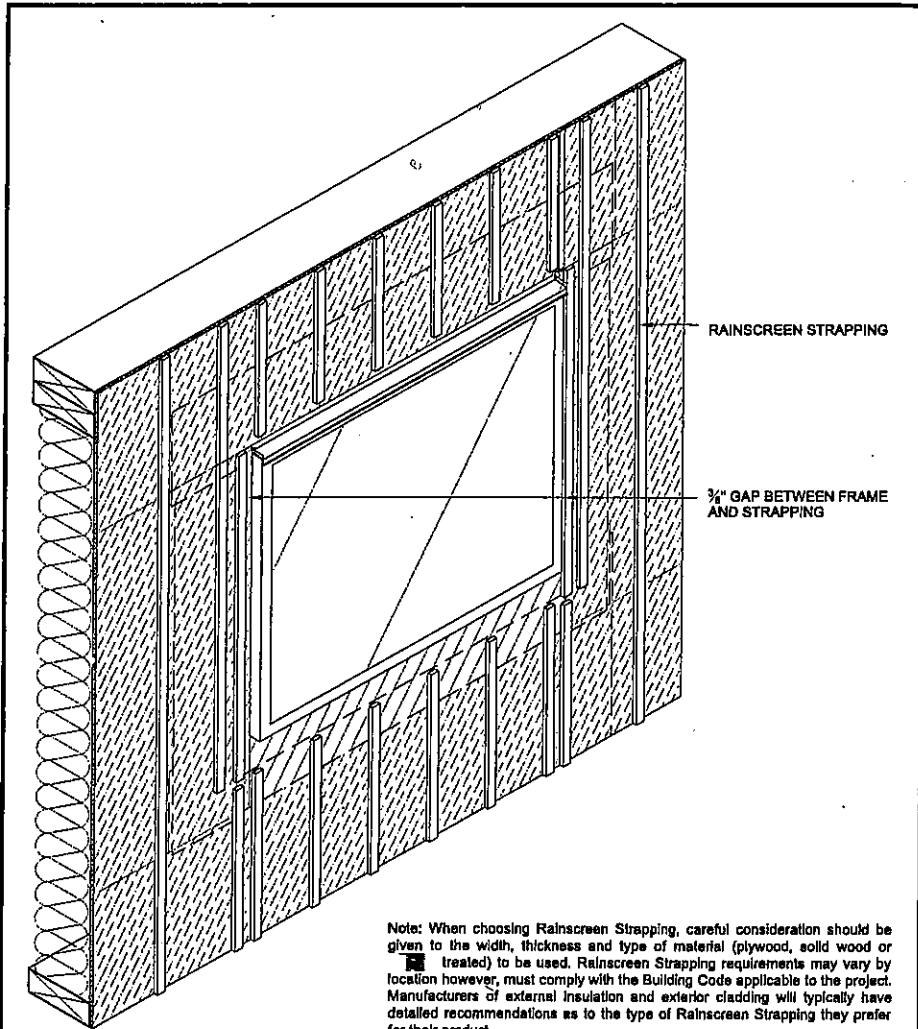
WINDOW INSTALLATION SEQUENCE 3:
WINDOW INSTALLATION

NTS

DETAIL

JUNE 2016





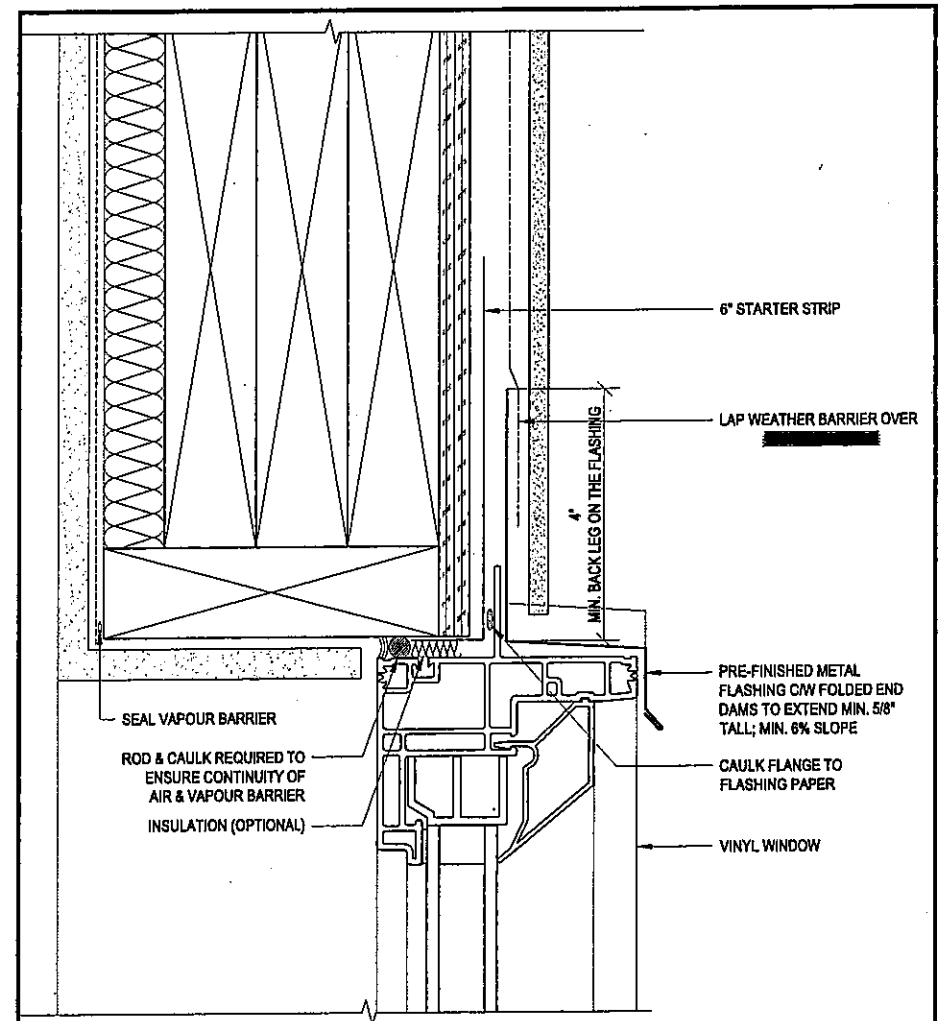
WINDOW INSTALLATION
RAINSCREEN STRAPPING

NTS

DETAIL

RS

JUNE 2016

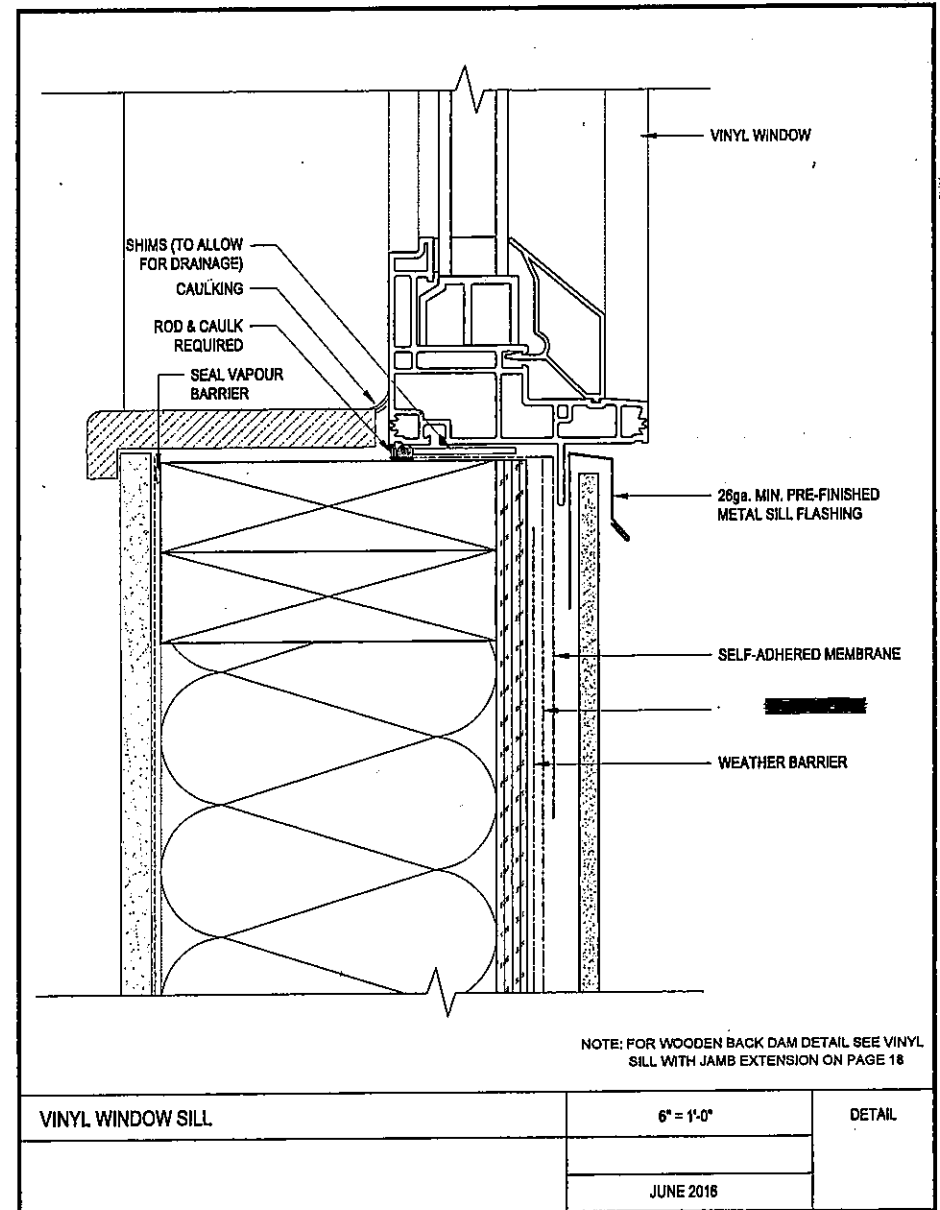
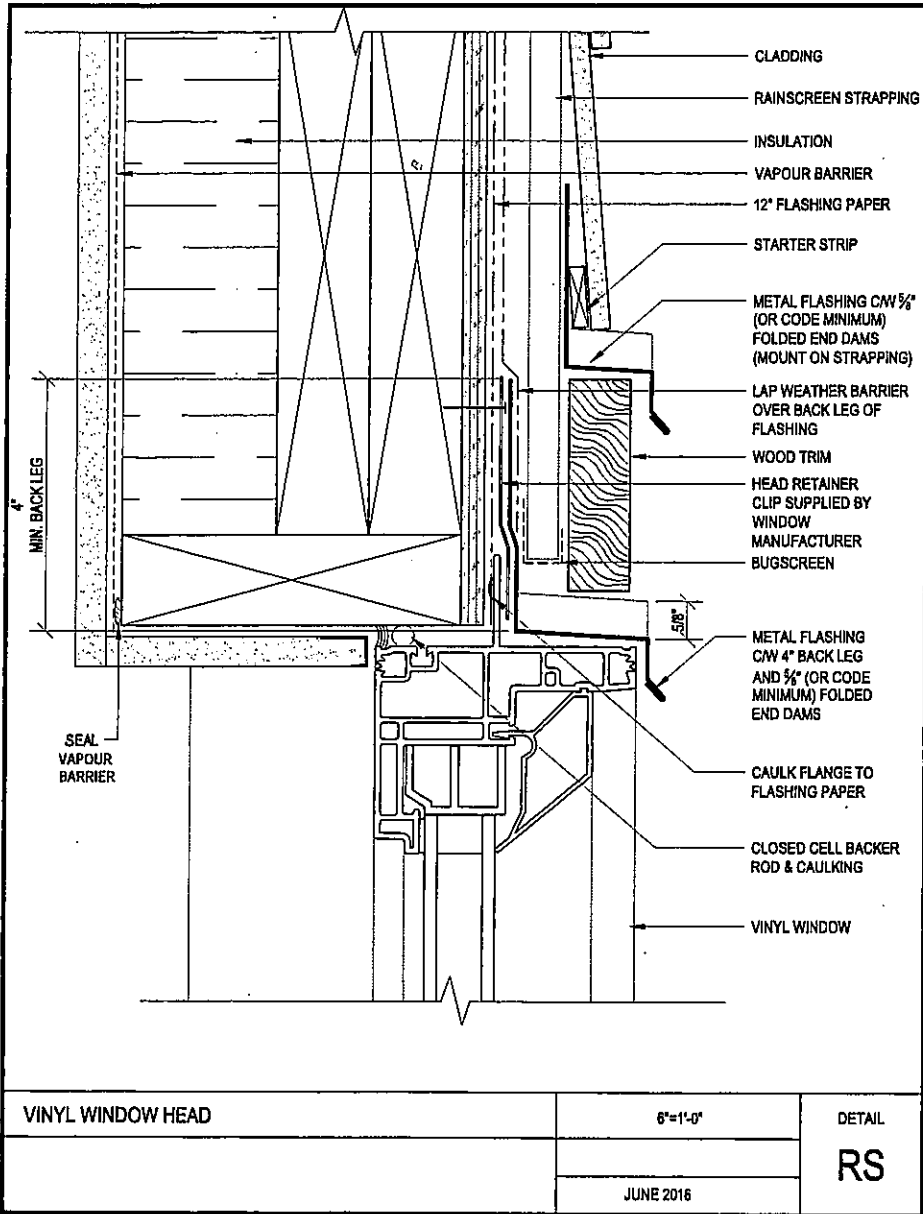


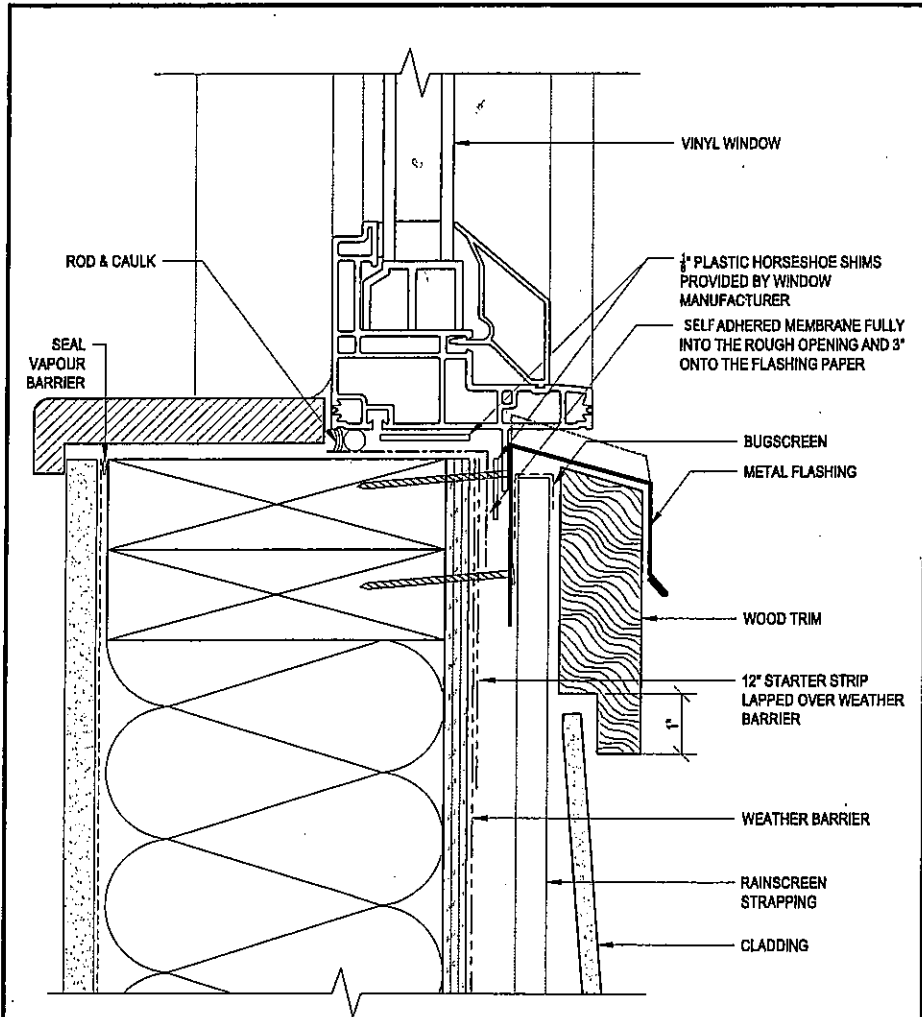
VINYL WINDOW HEAD

6" = 1'-0"

DETAIL

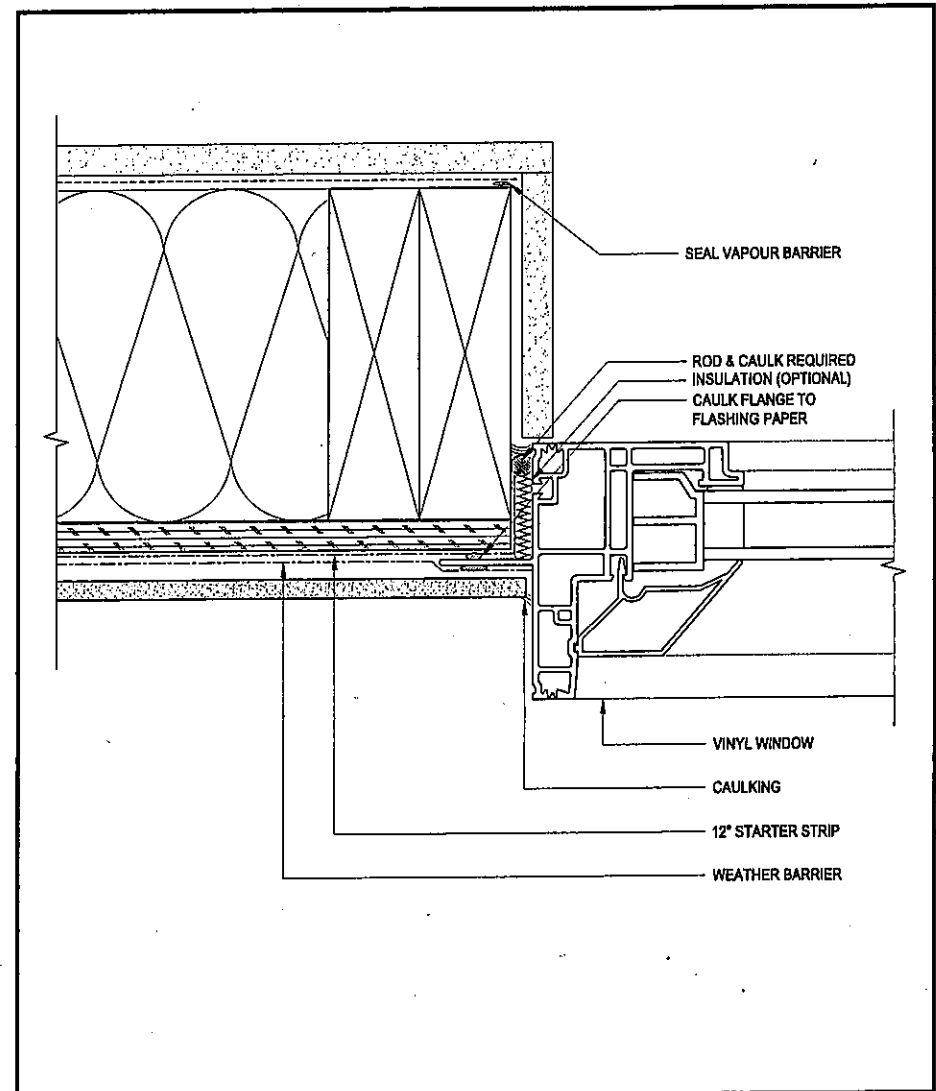
JUNE 2016



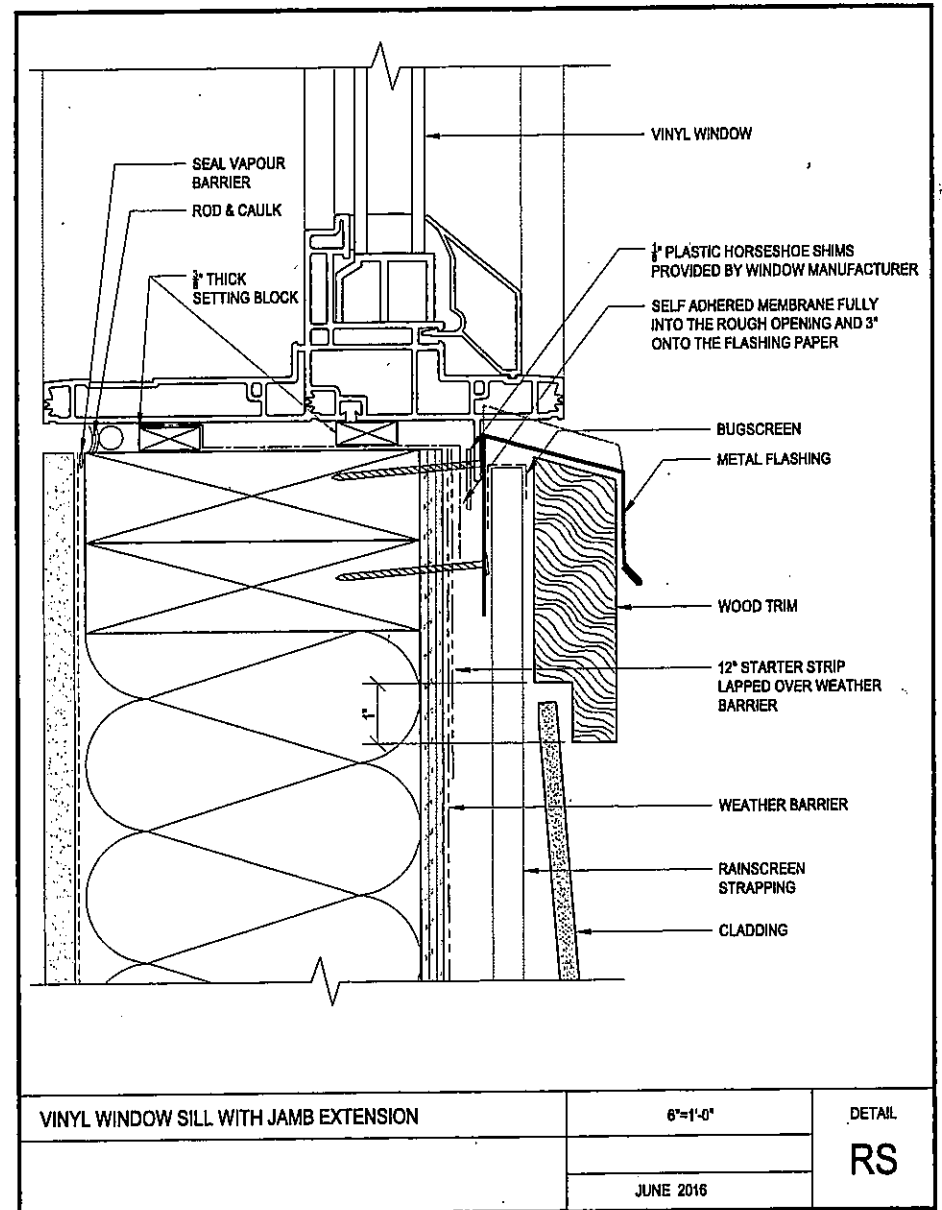
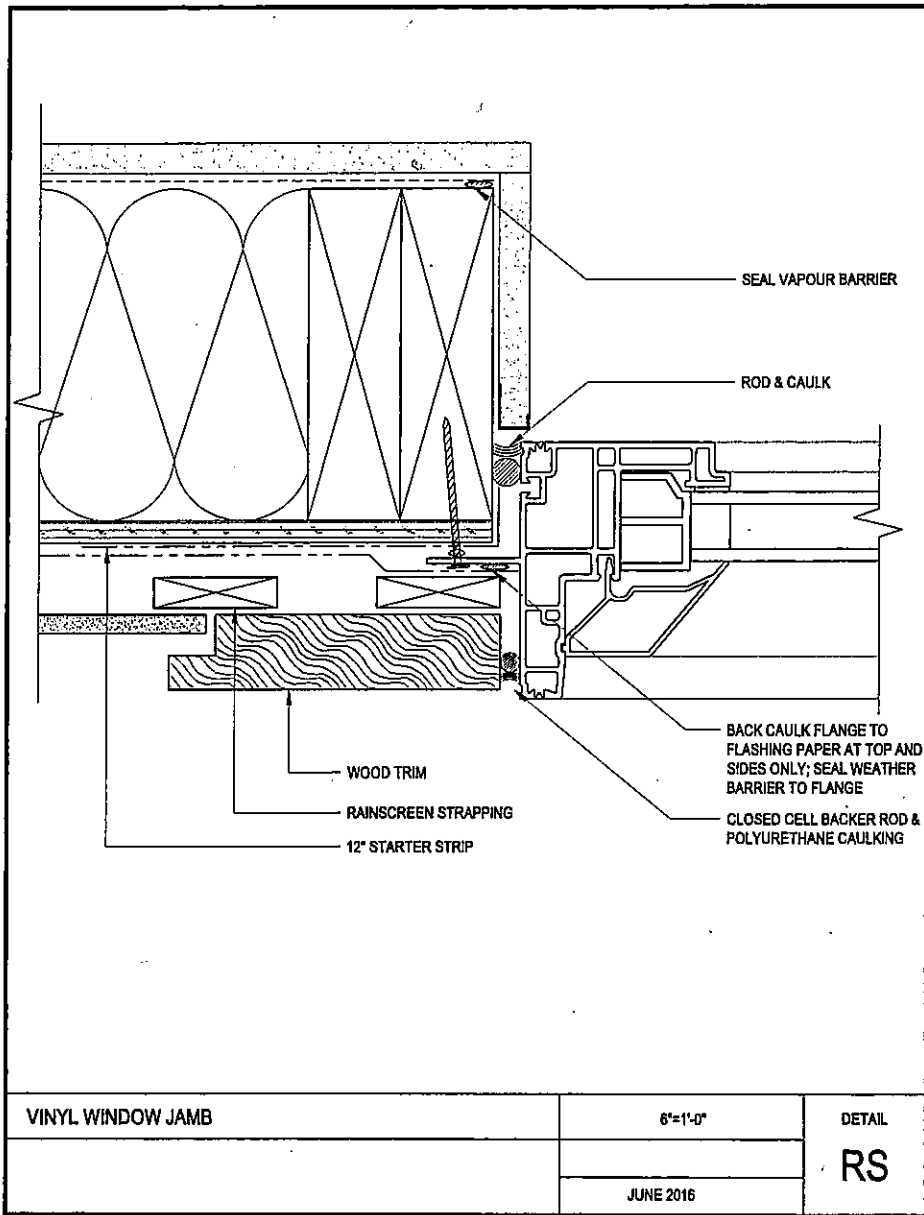


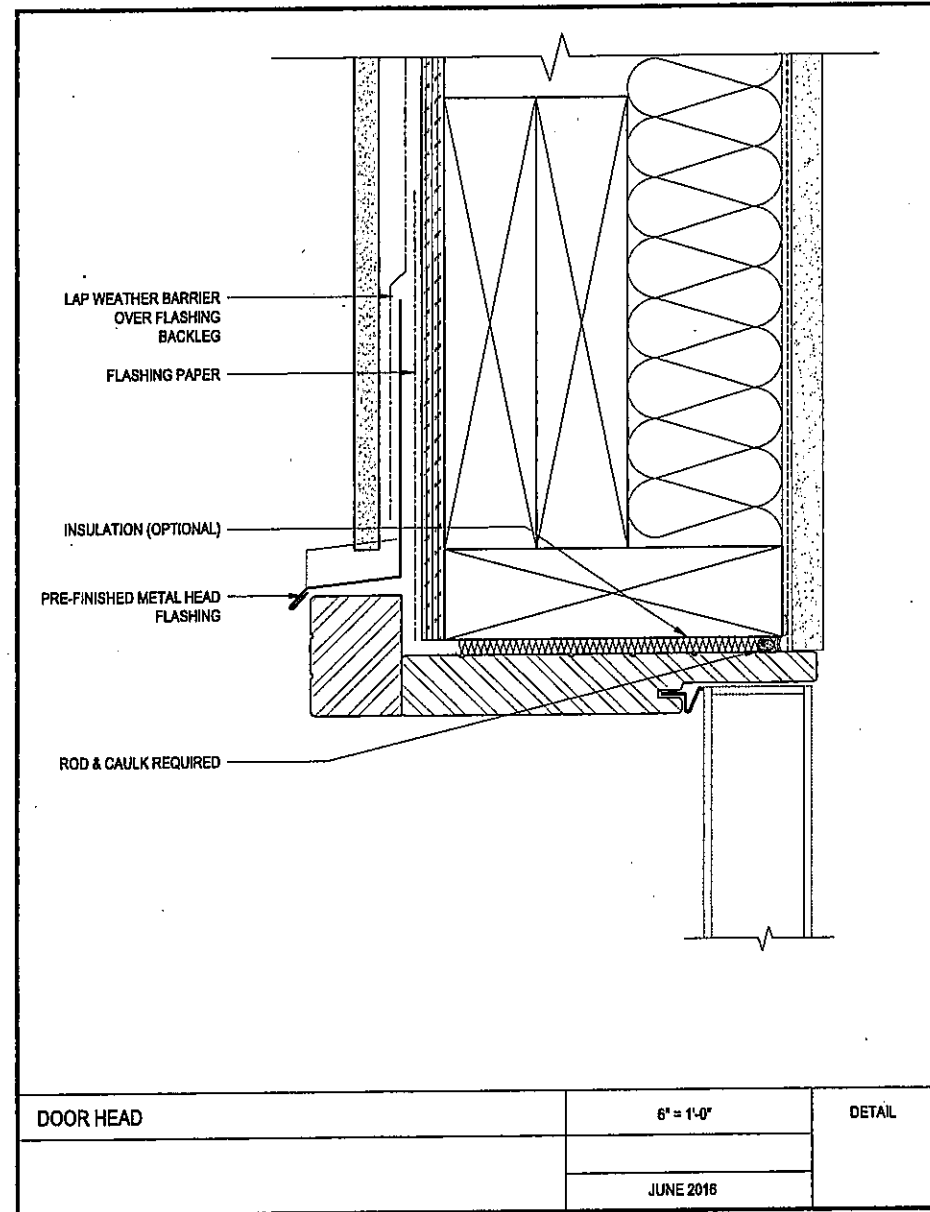
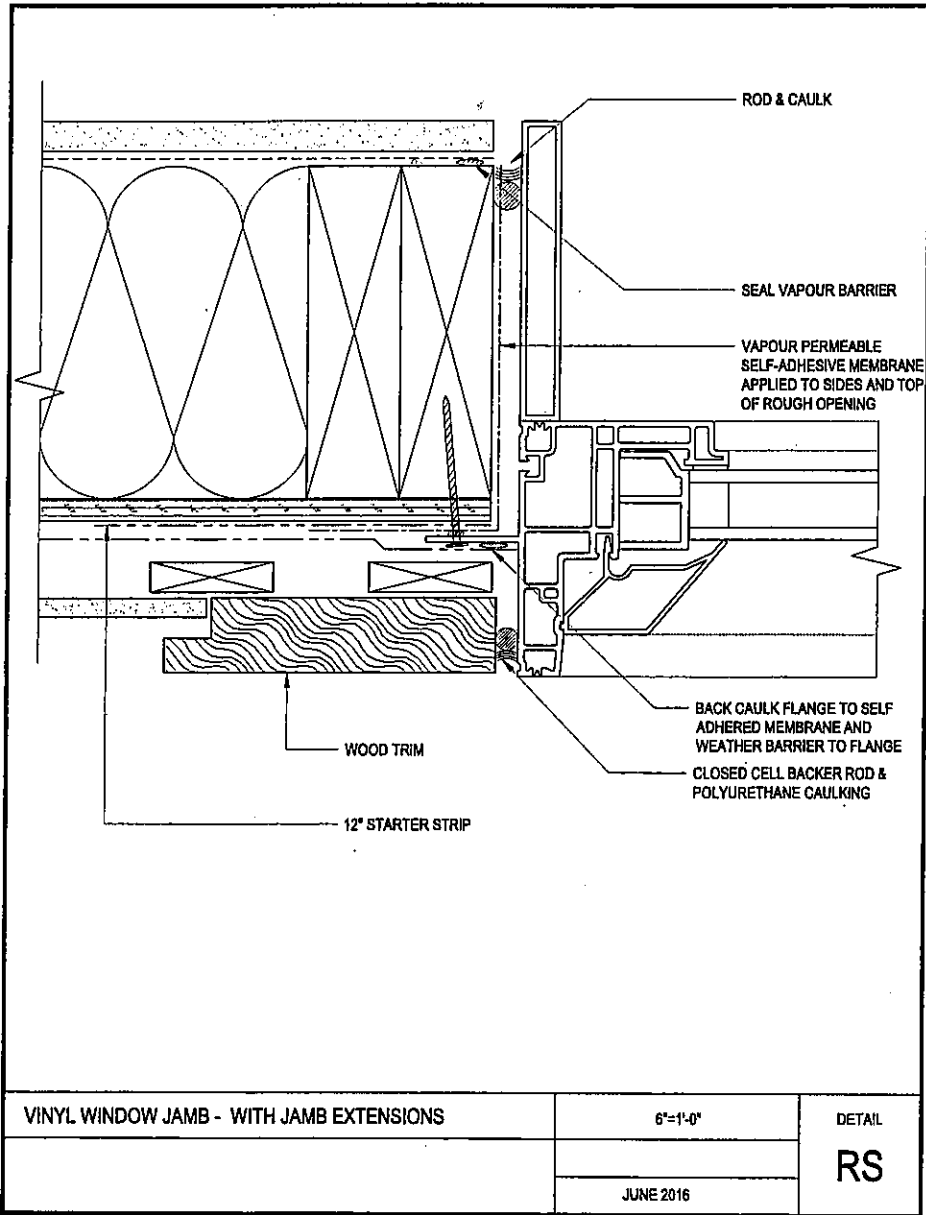
NOTE: FOR WOODEN BACK DAM DETAIL SEE VINYL SILL WITH JAMB EXTENSION ON PAGE 18

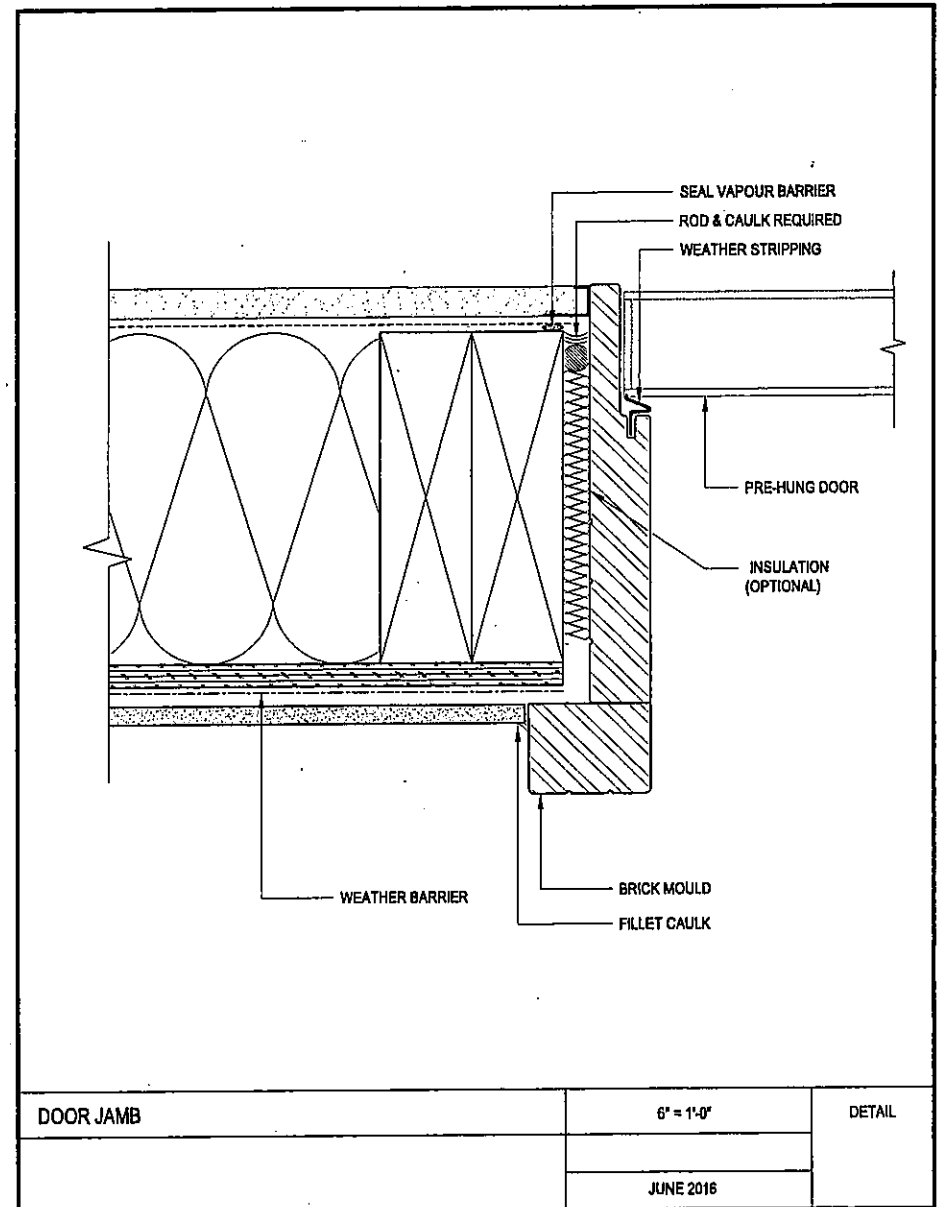
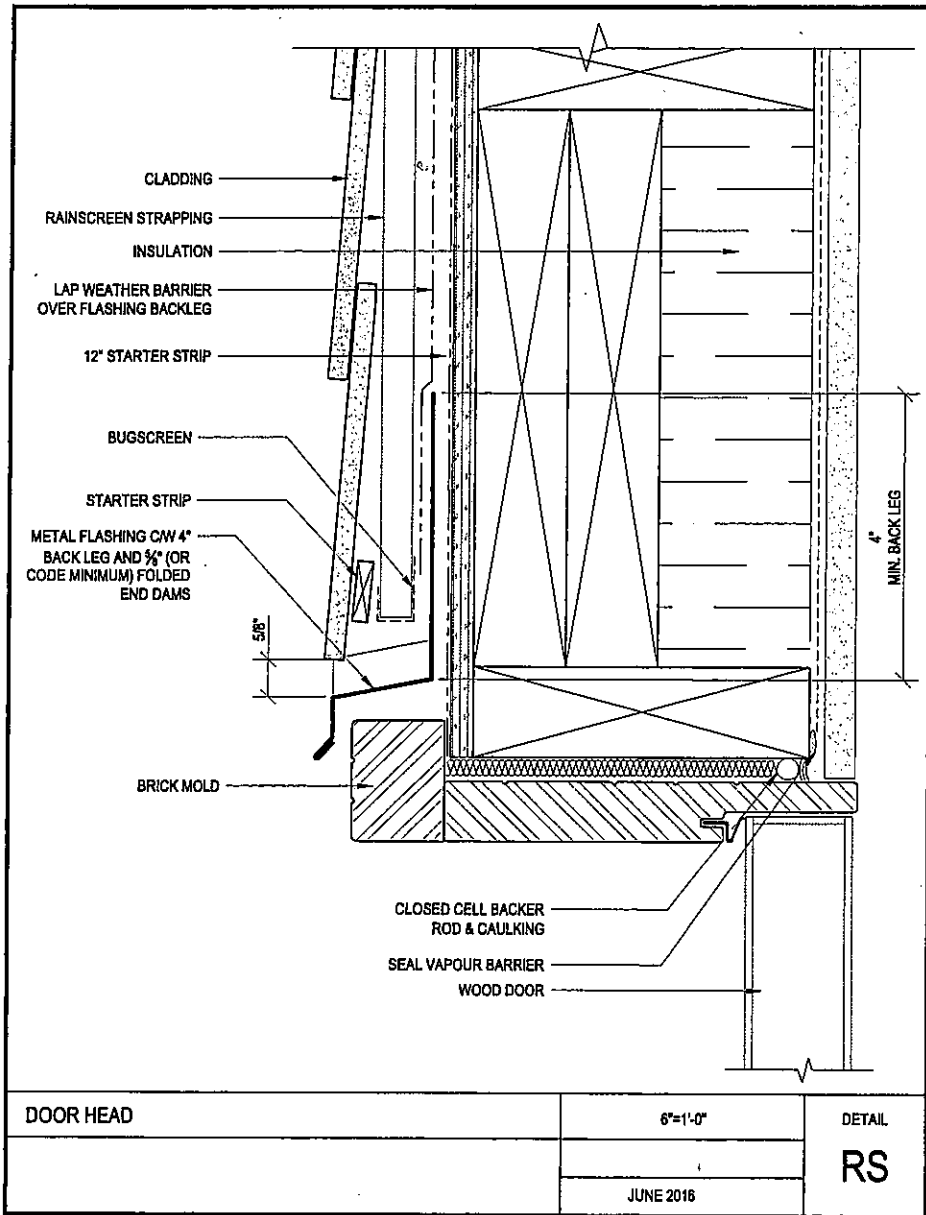
VINYL WINDOW SILL	6"=1'-0"	DETAIL
		RS
	JUNE 2016	

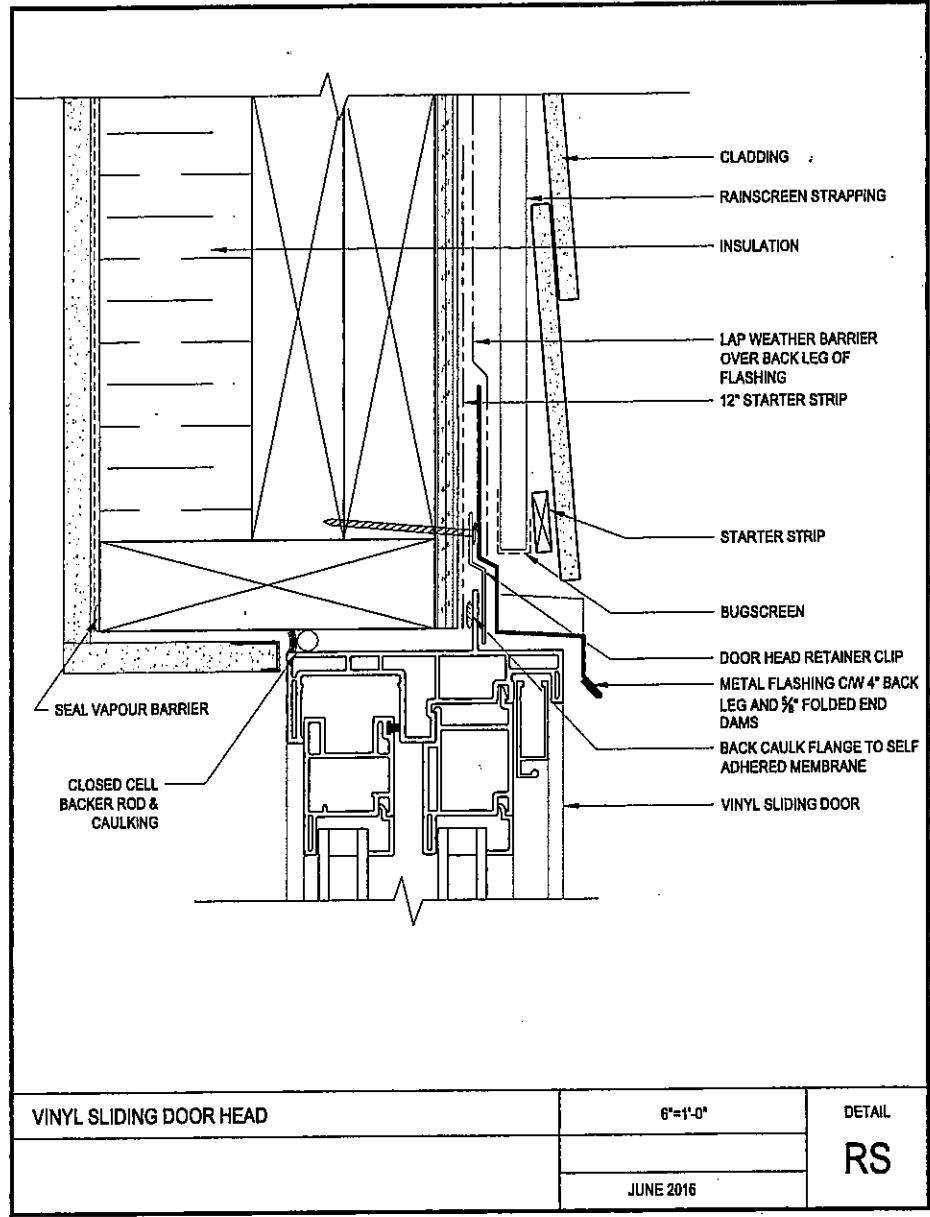
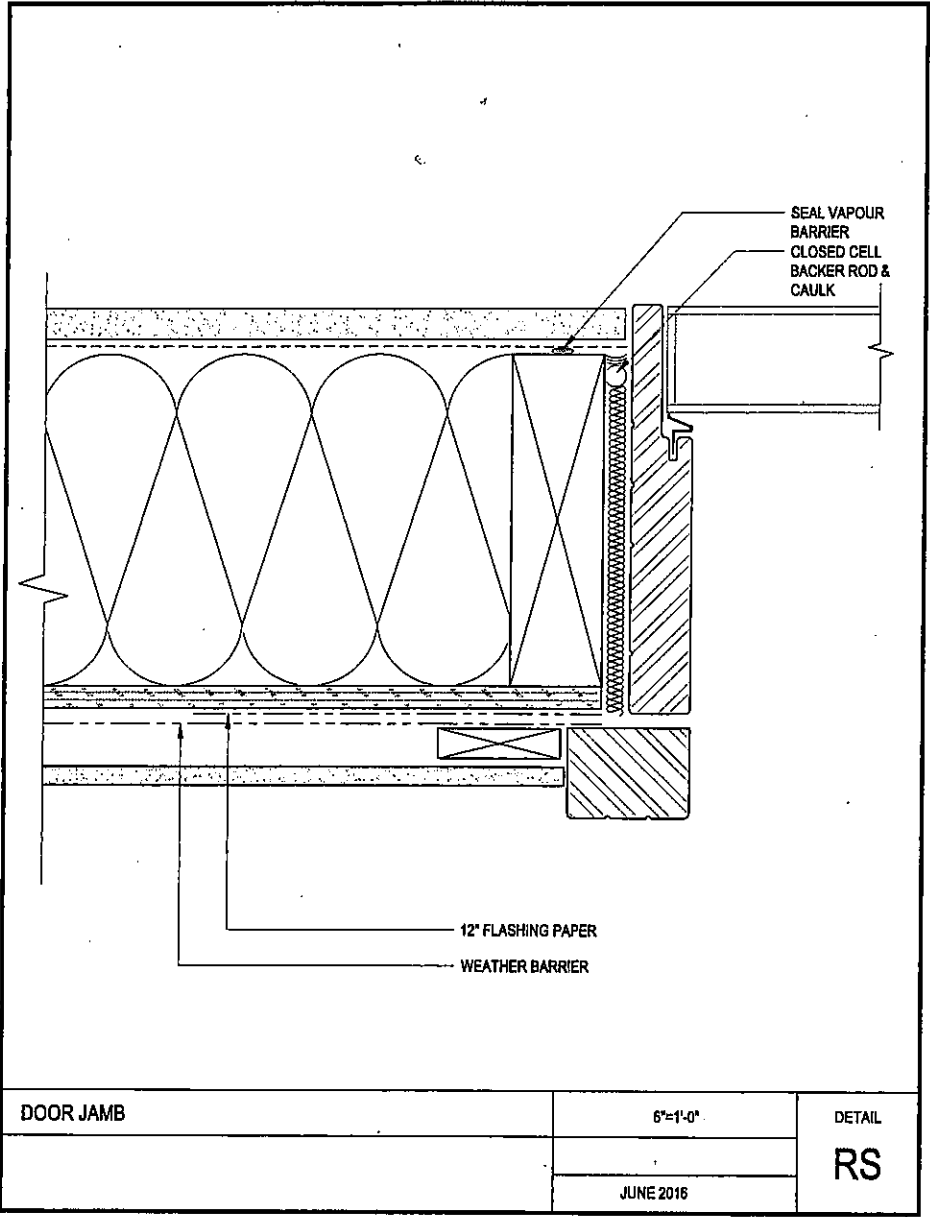


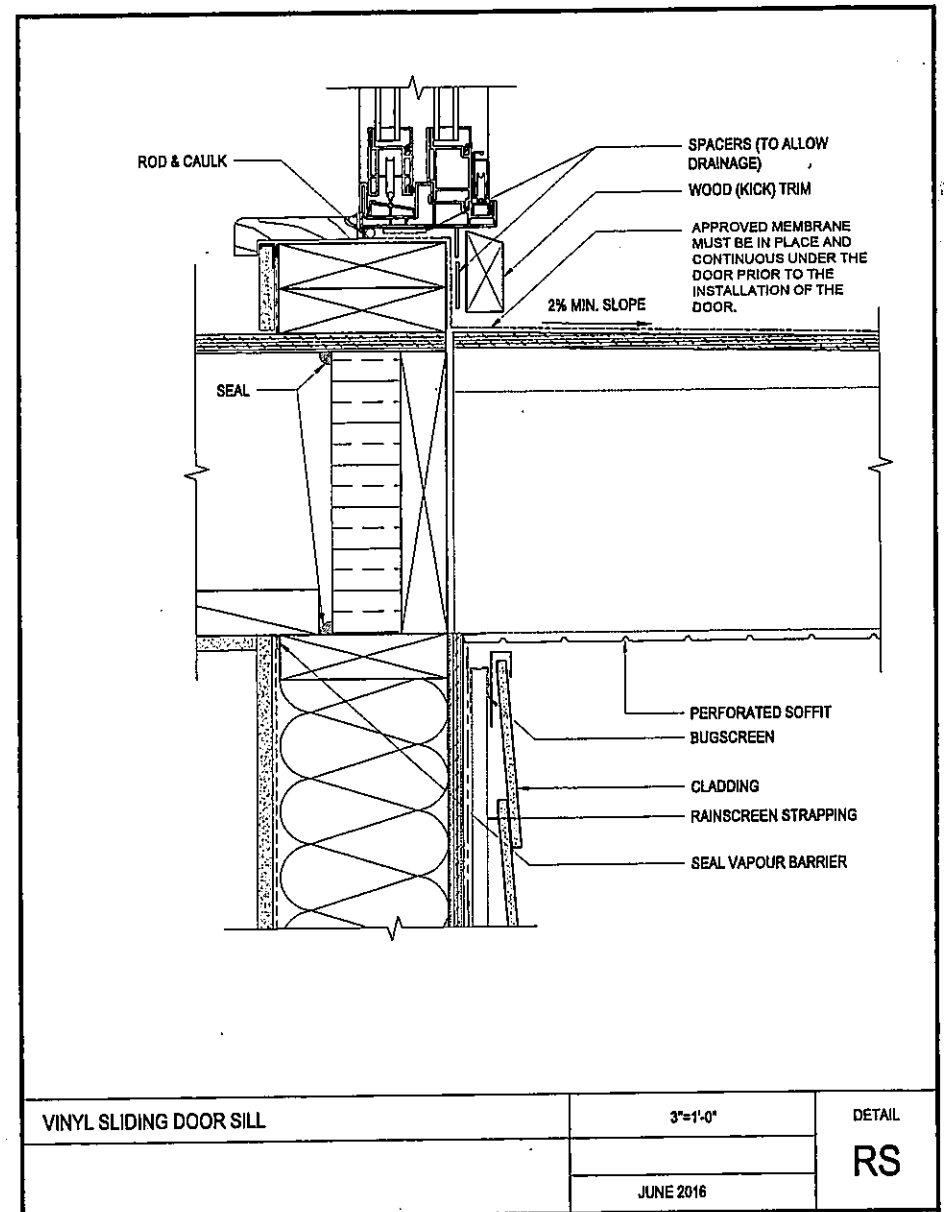
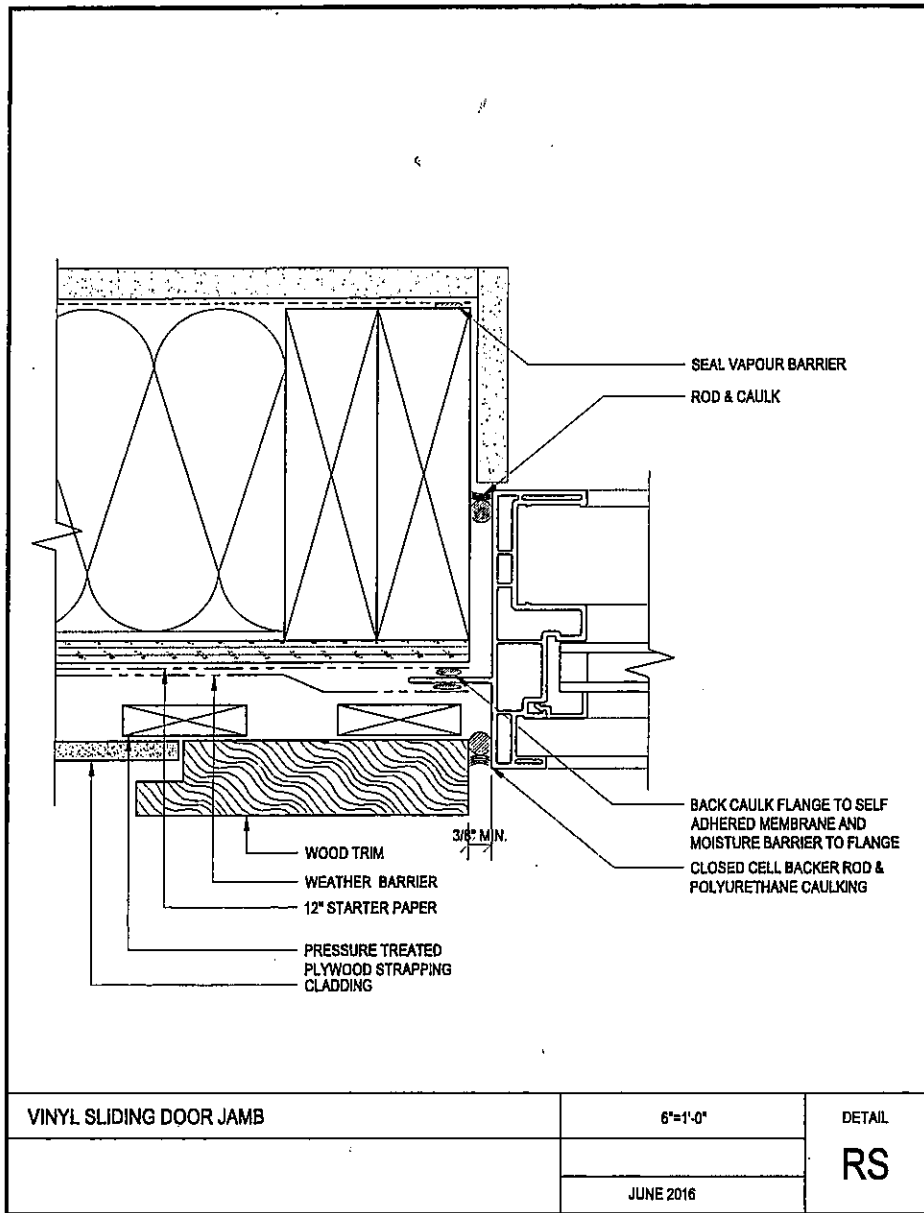
VINYL WINDOW JAMB	6"=1'-0"	DETAIL
	JUNE 2016	

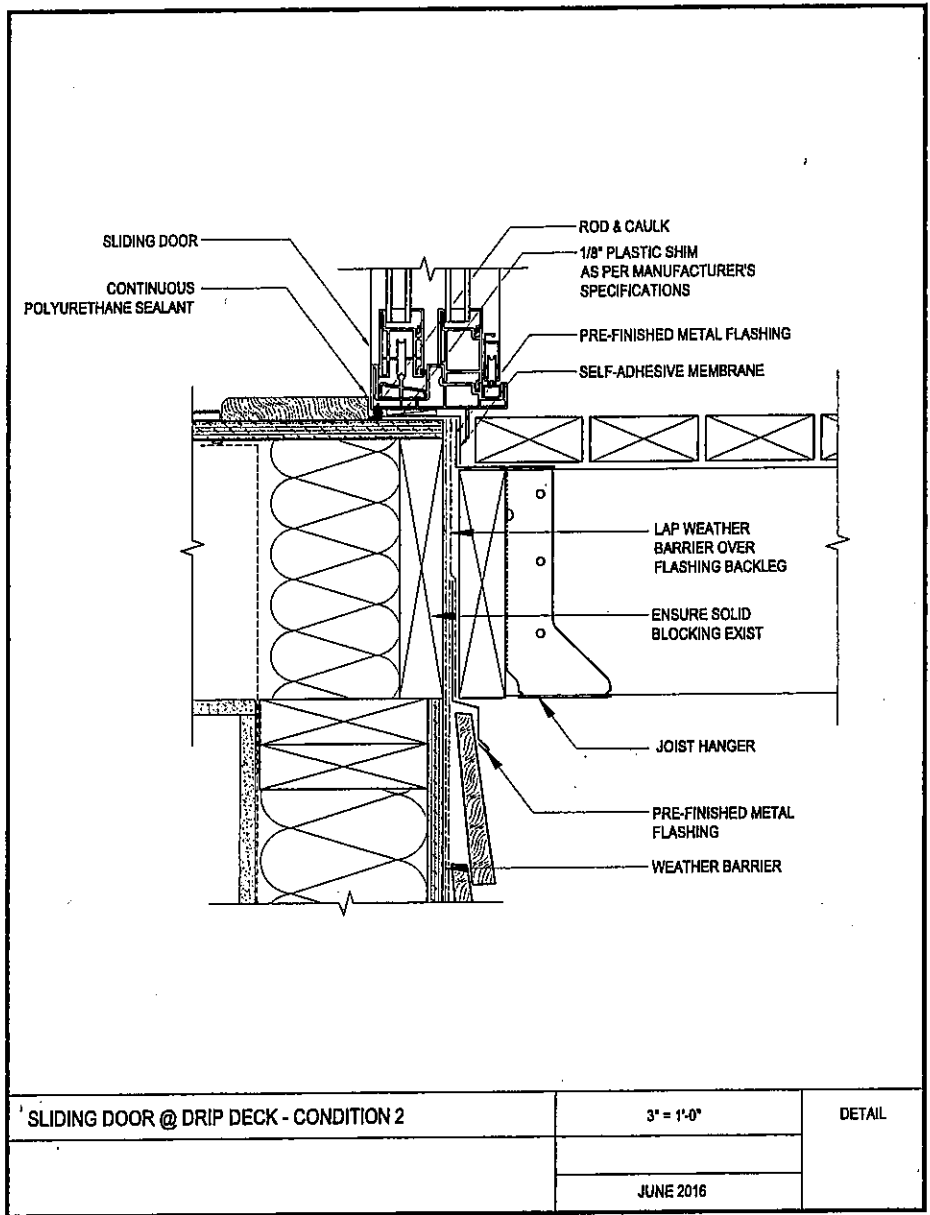
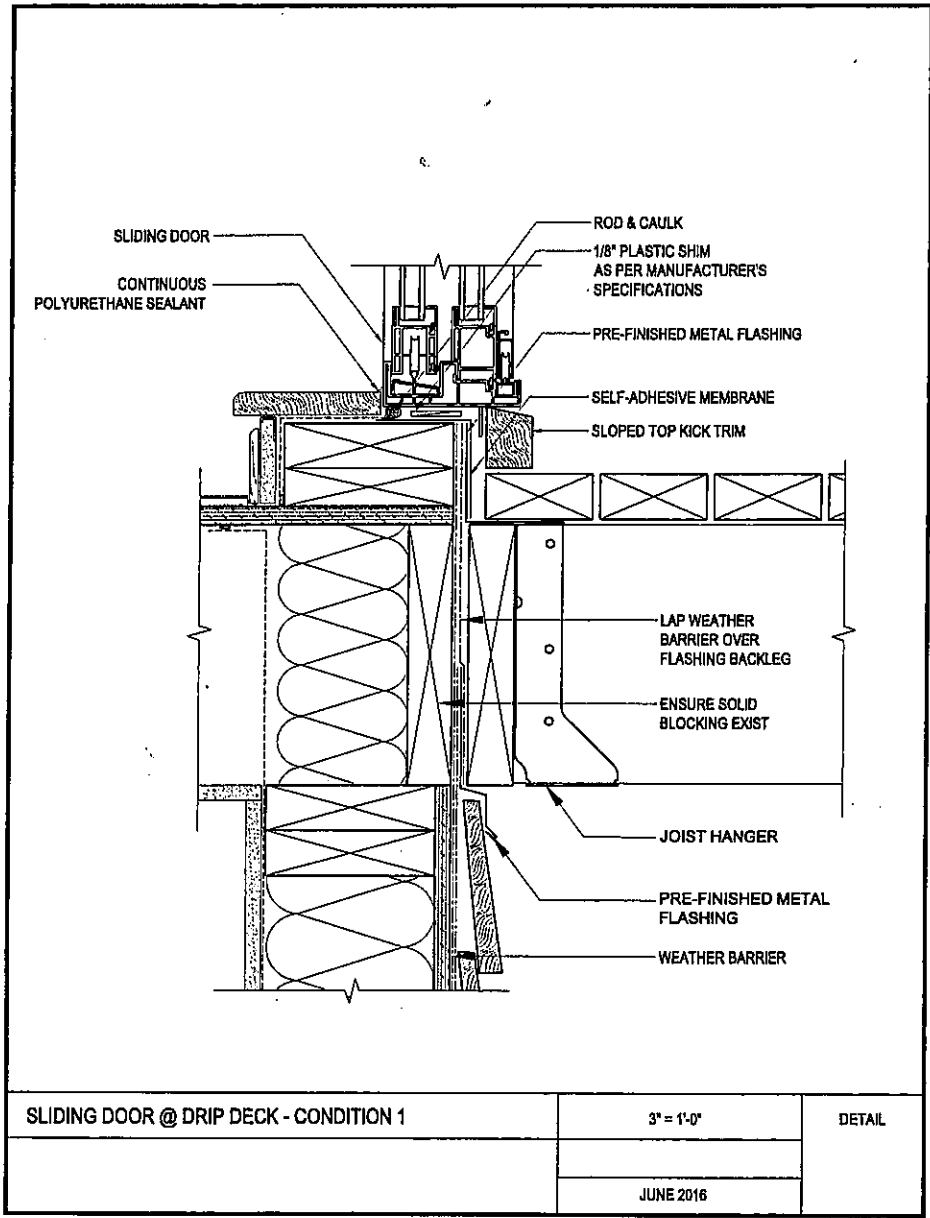


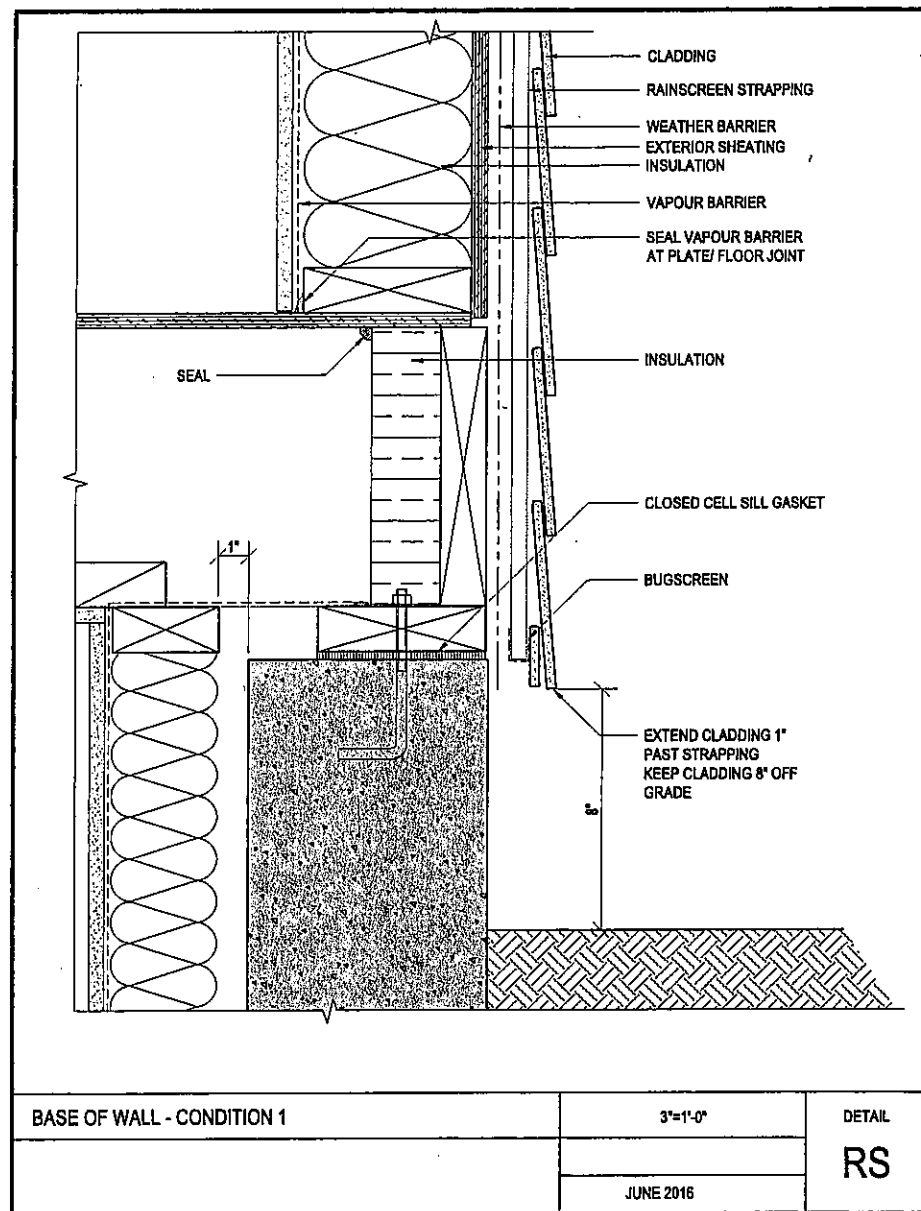
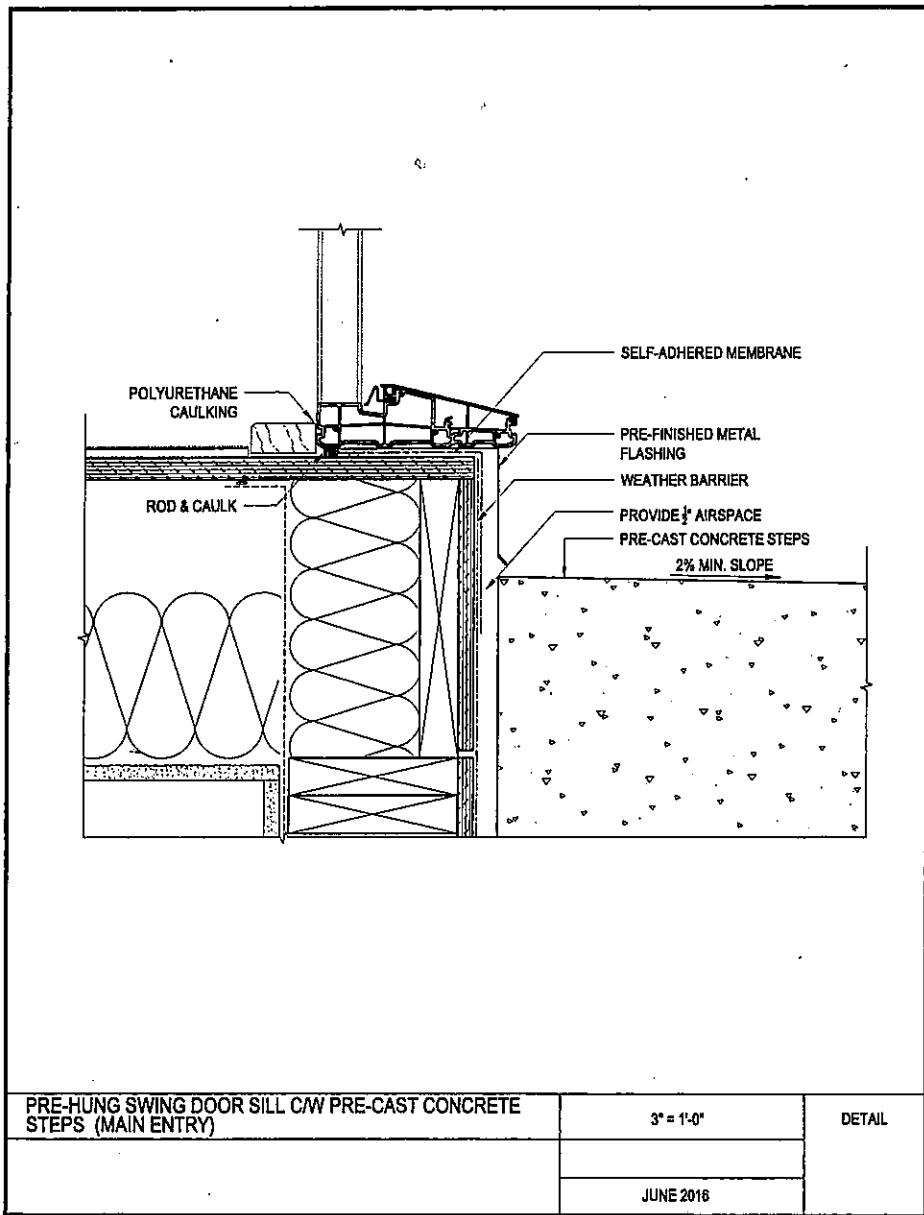


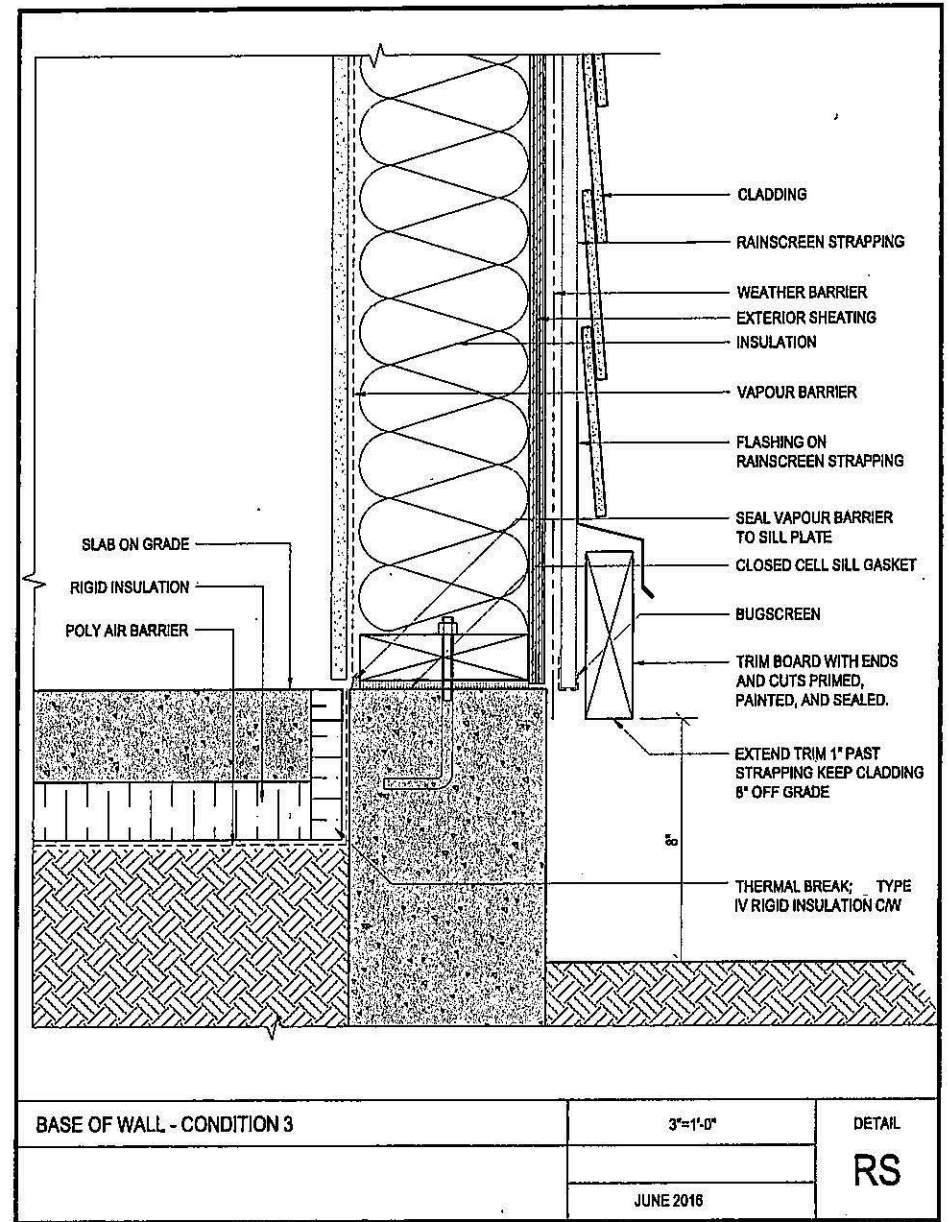
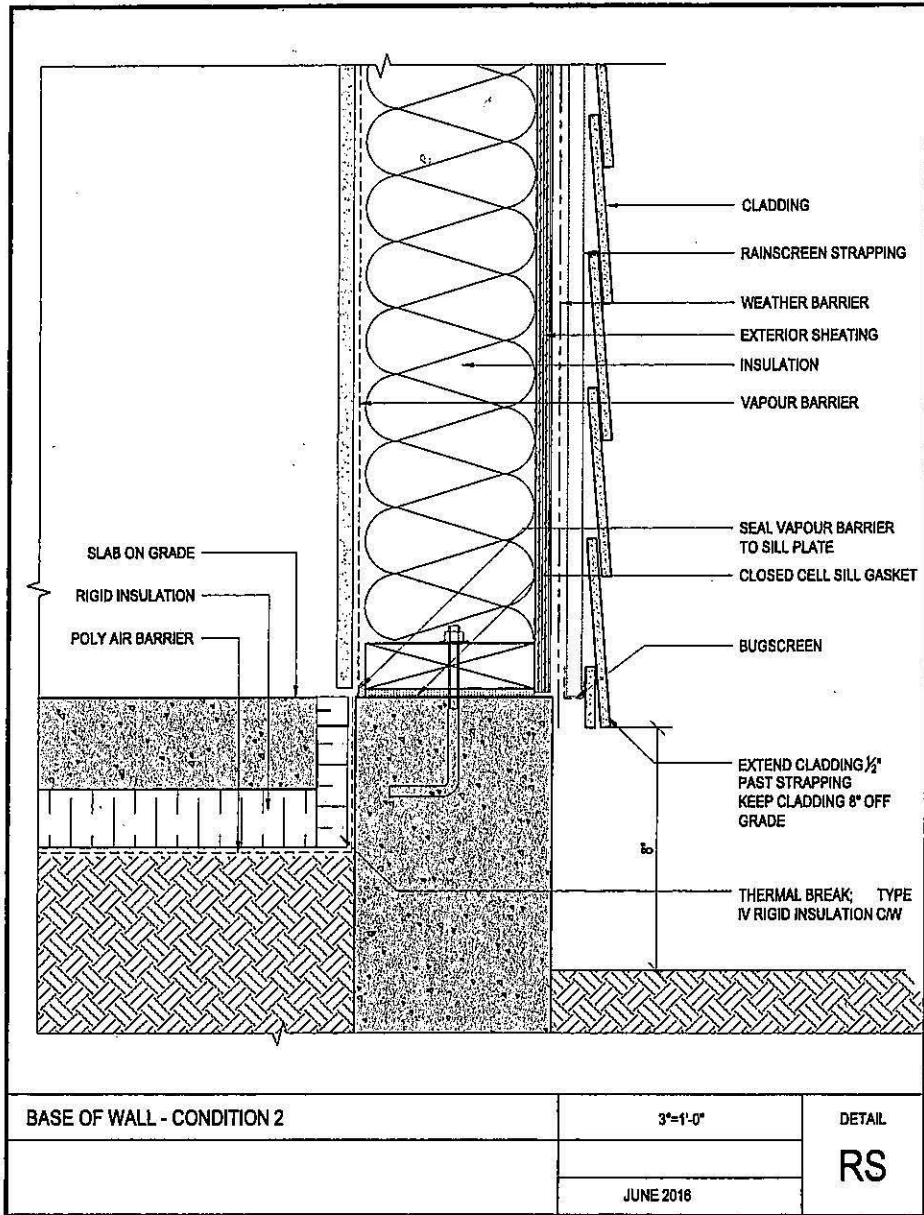


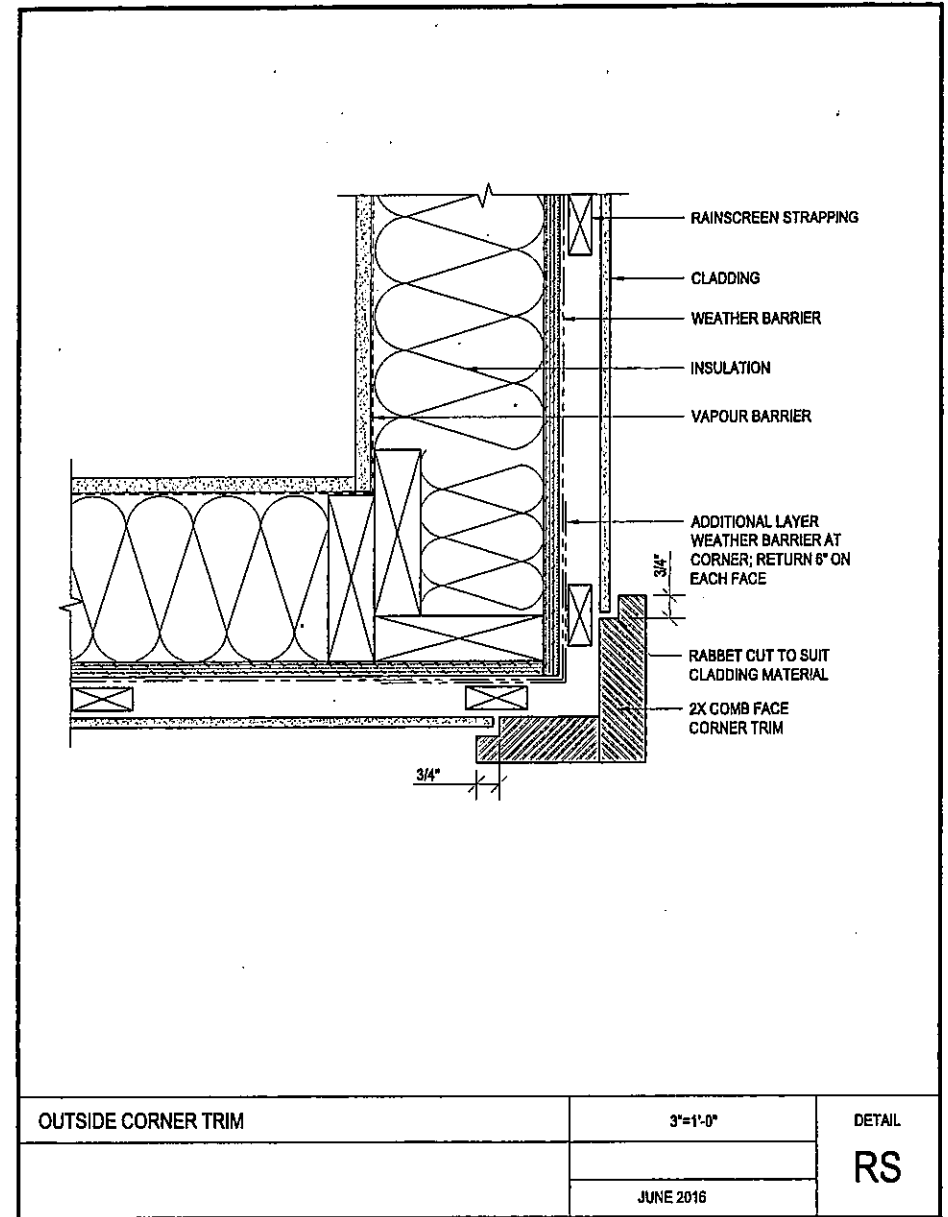
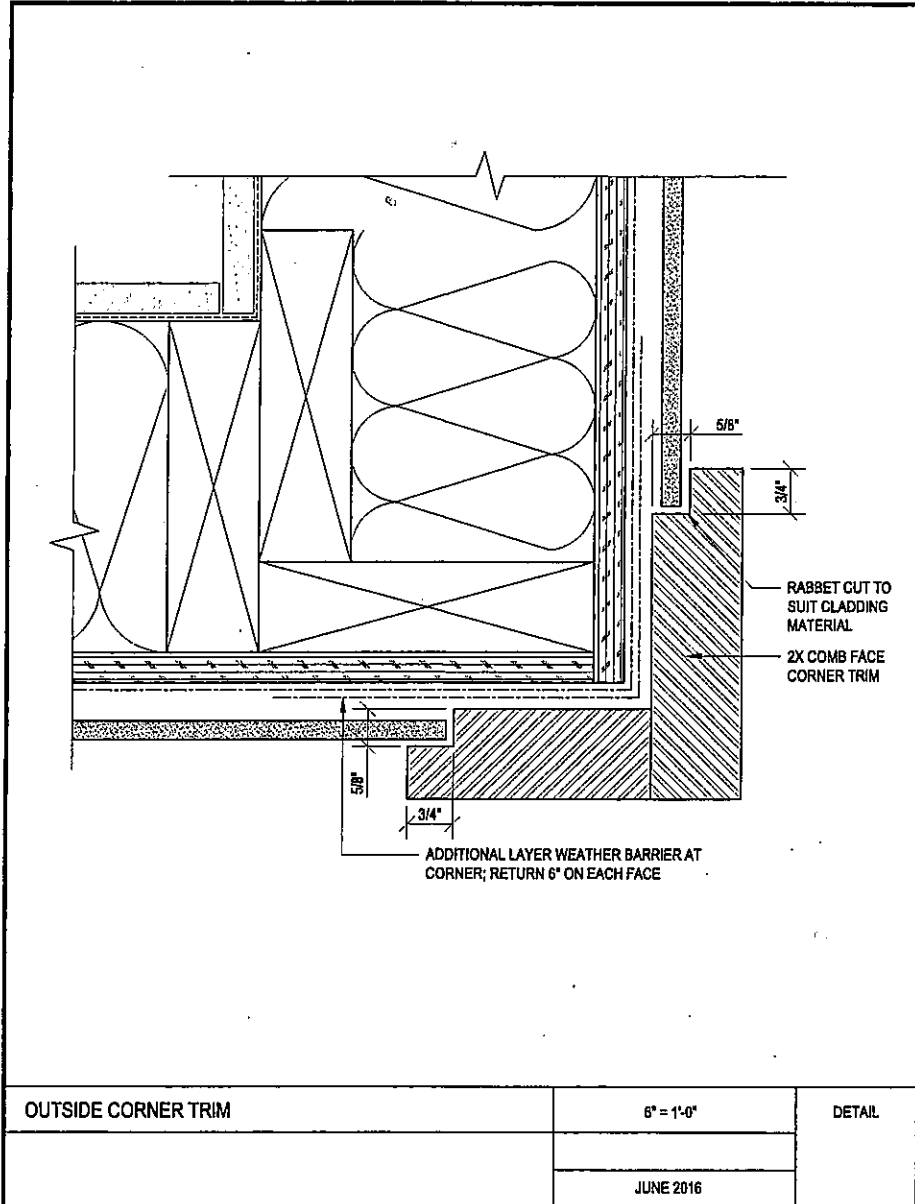


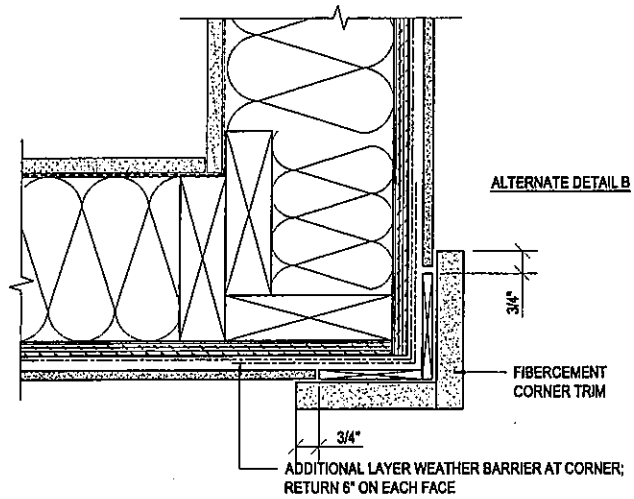
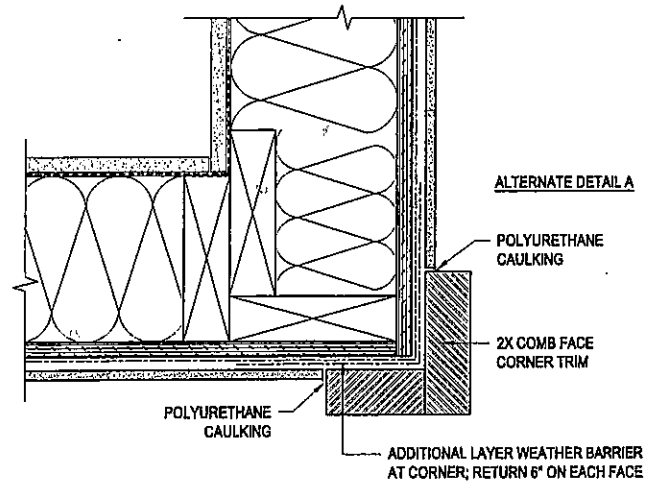










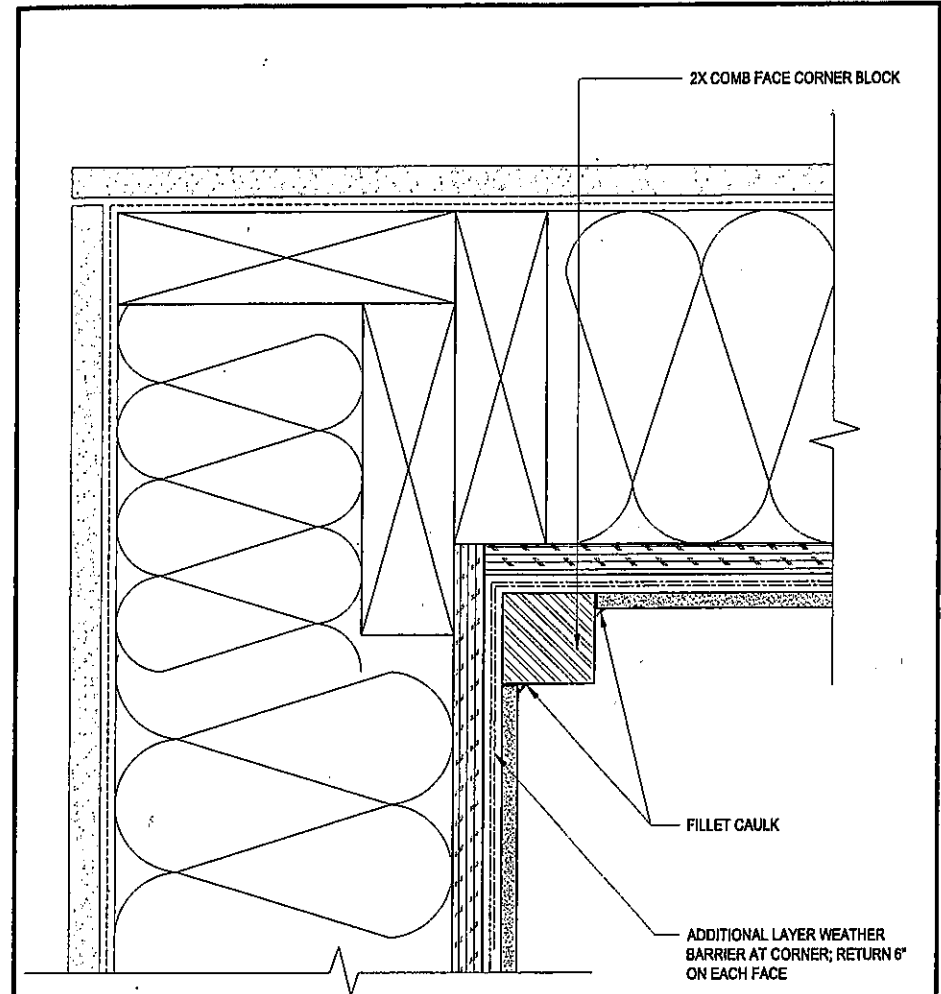


OUTSIDE CORNER TRIM - ALTERNATE DETAILS

3" = 1'-0"

DETAIL

JUNE 2016

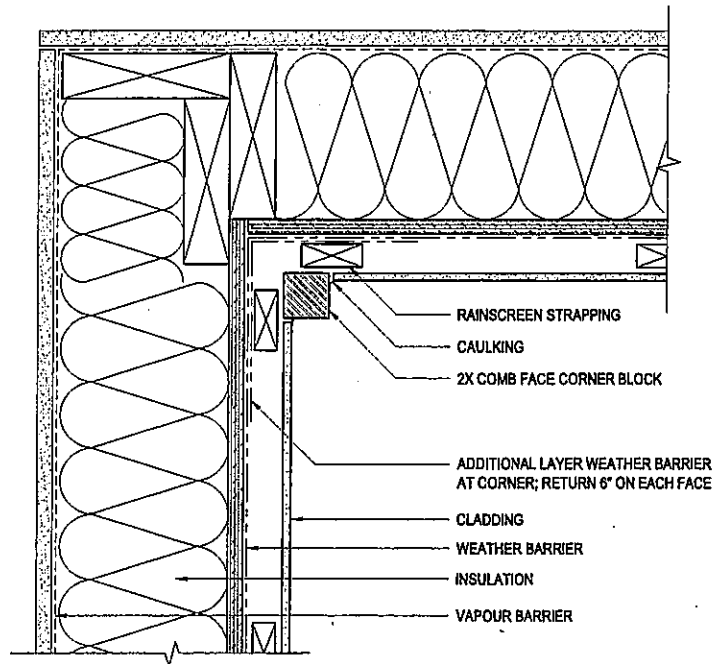


INSIDE CORNER TRIM

6" = 1'-0"

DETAIL

JUNE 2016



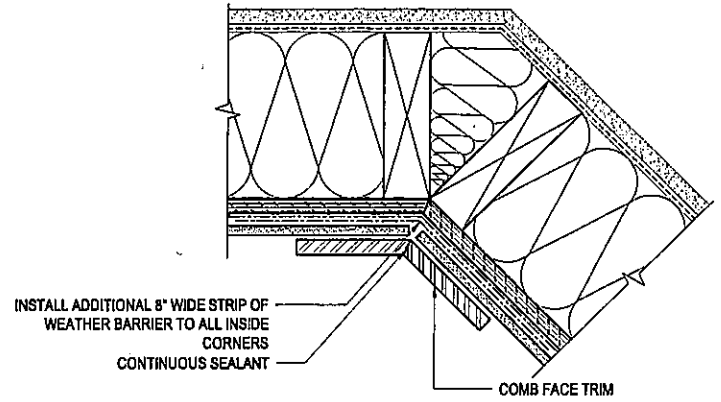
INSIDE CORNER TRIM

3" = 1'-0"

DETAIL

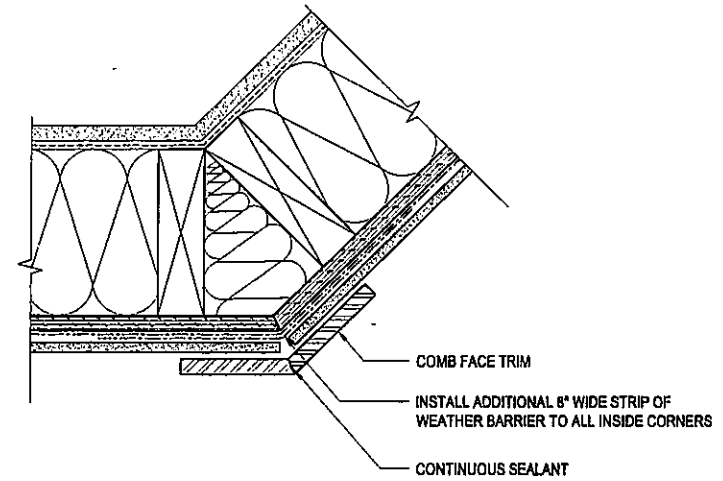
JUNE 2016

RS



INSTALL ADDITIONAL 8" WIDE STRIP OF WEATHER BARRIER TO ALL INSIDE CORNERS
CONTINUOUS SEALANT

COMB FACE TRIM



COMB FACE TRIM

INSTALL ADDITIONAL 8" WIDE STRIP OF WEATHER BARRIER TO ALL INSIDE CORNERS

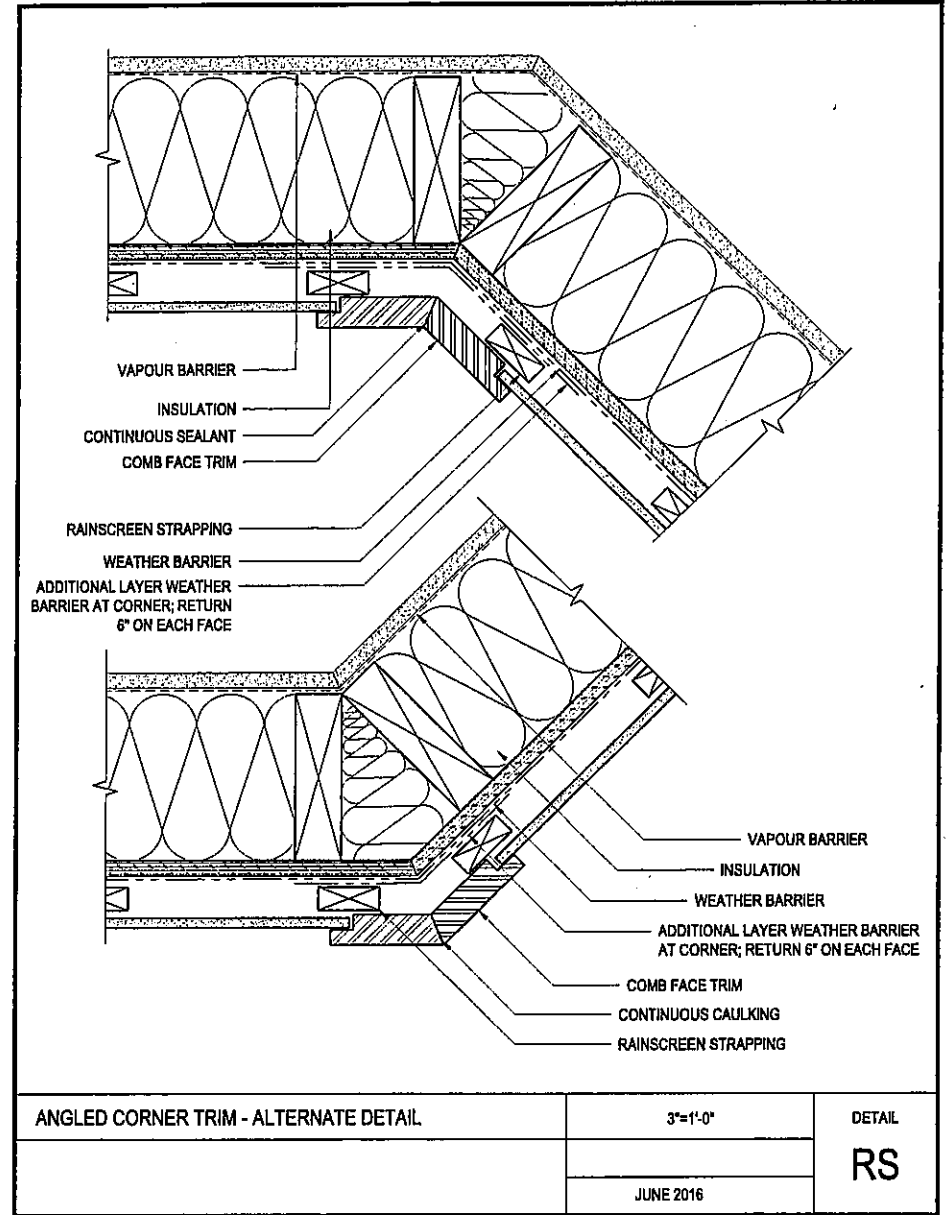
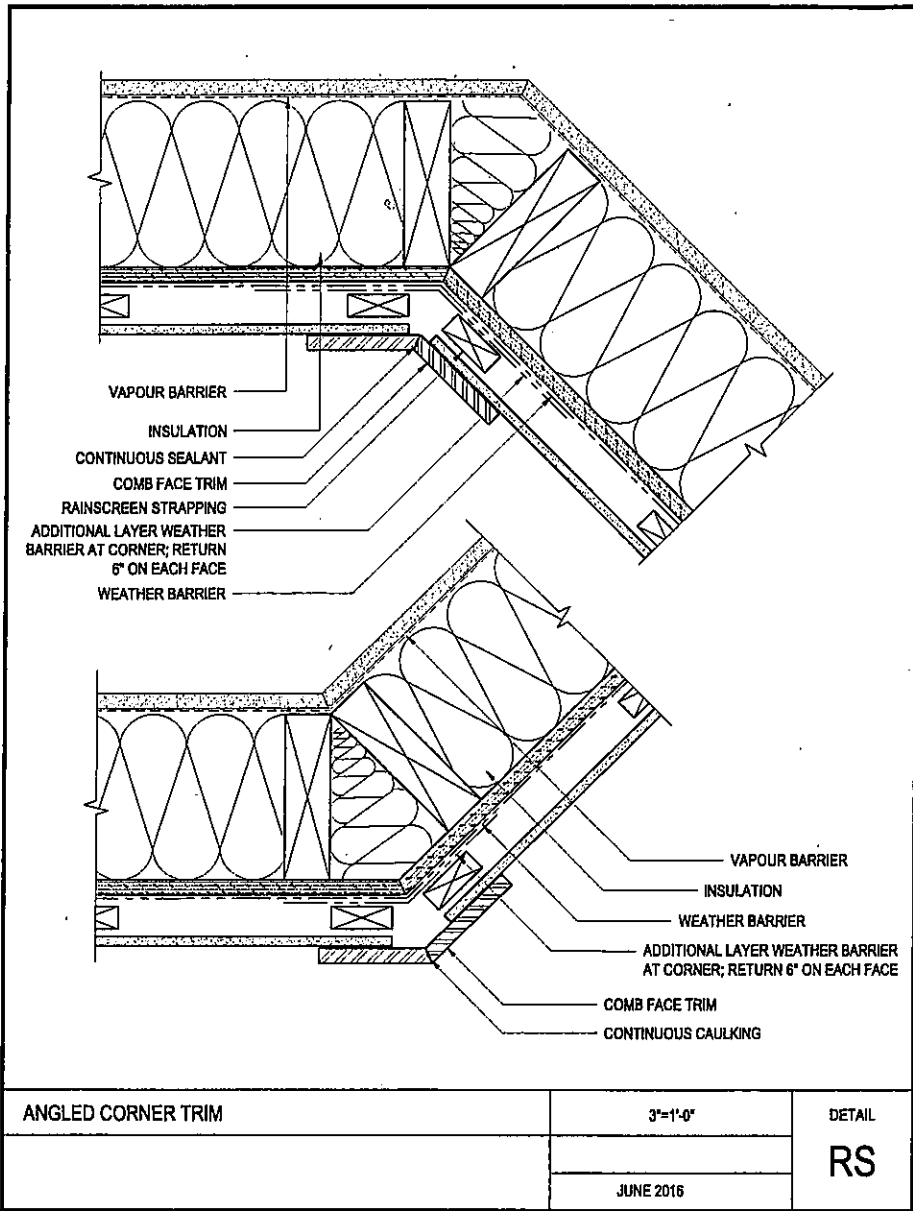
CONTINUOUS SEALANT

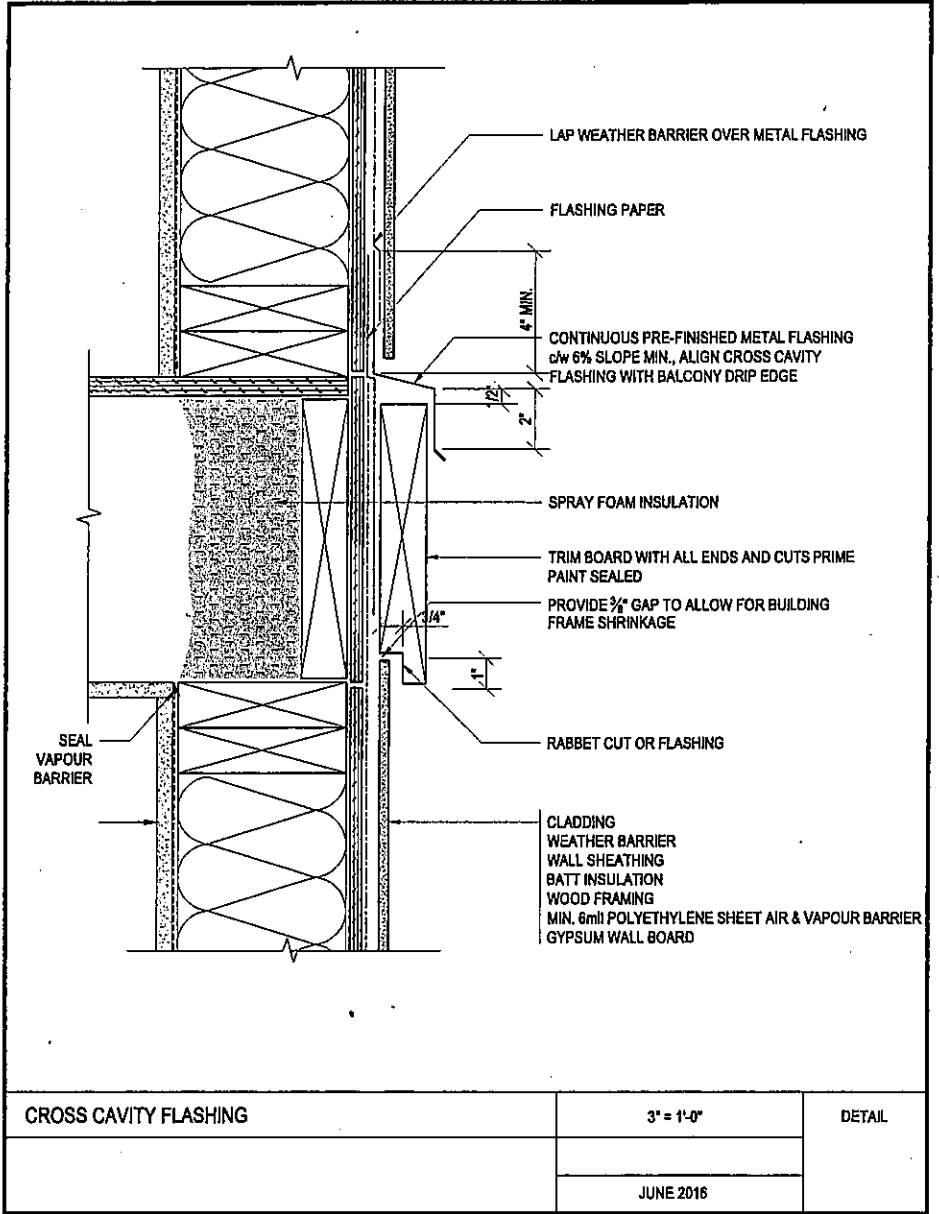
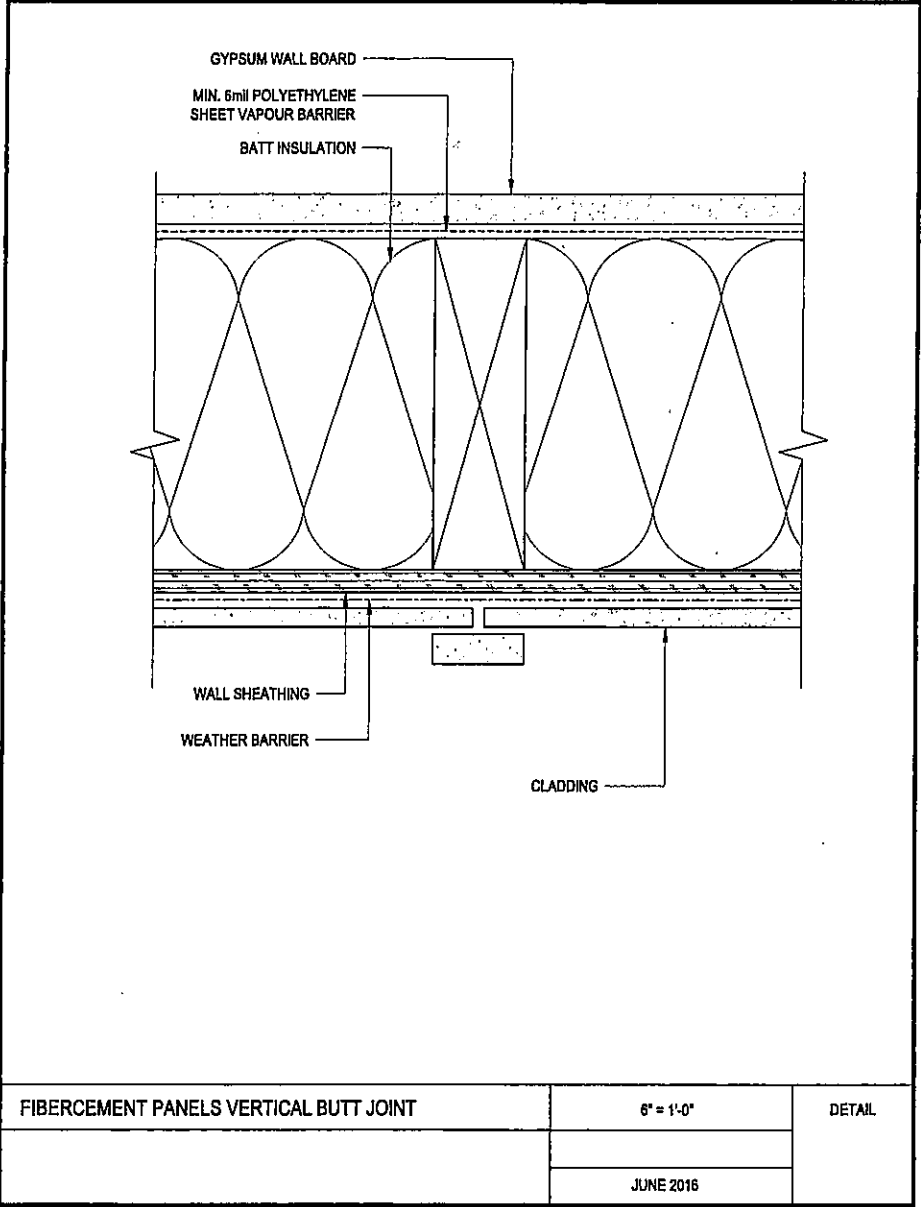
ANGLED CORNER TRIM

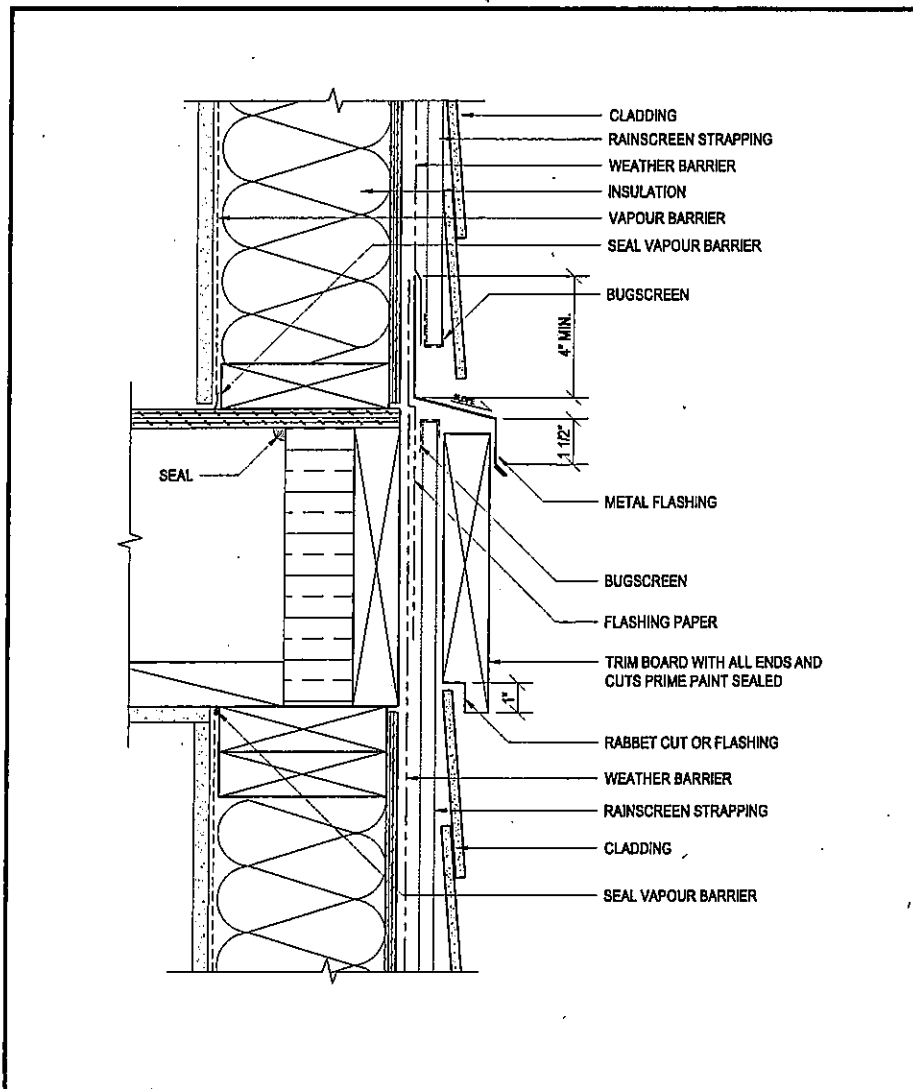
3" = 1'-0"

DETAIL

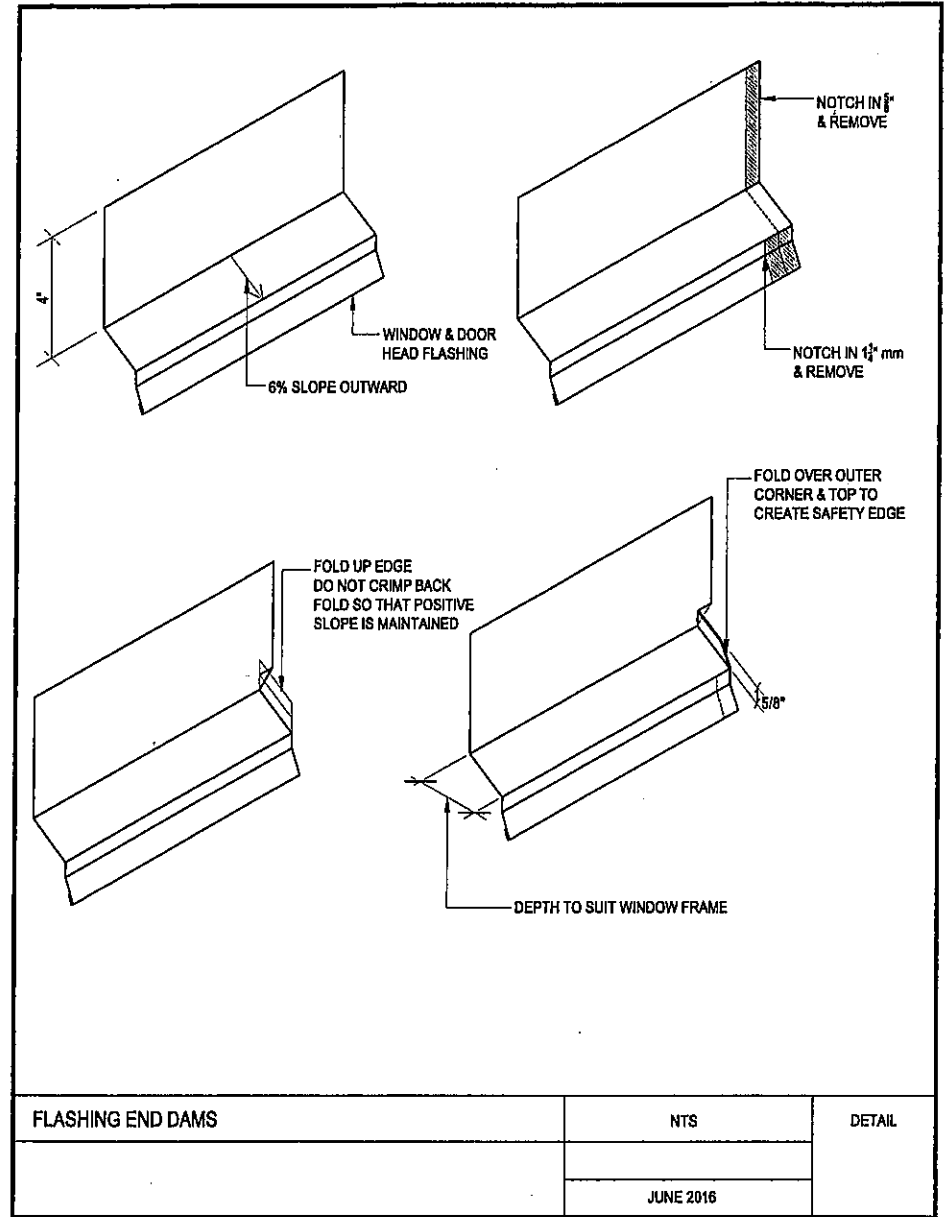
JUNE 2016



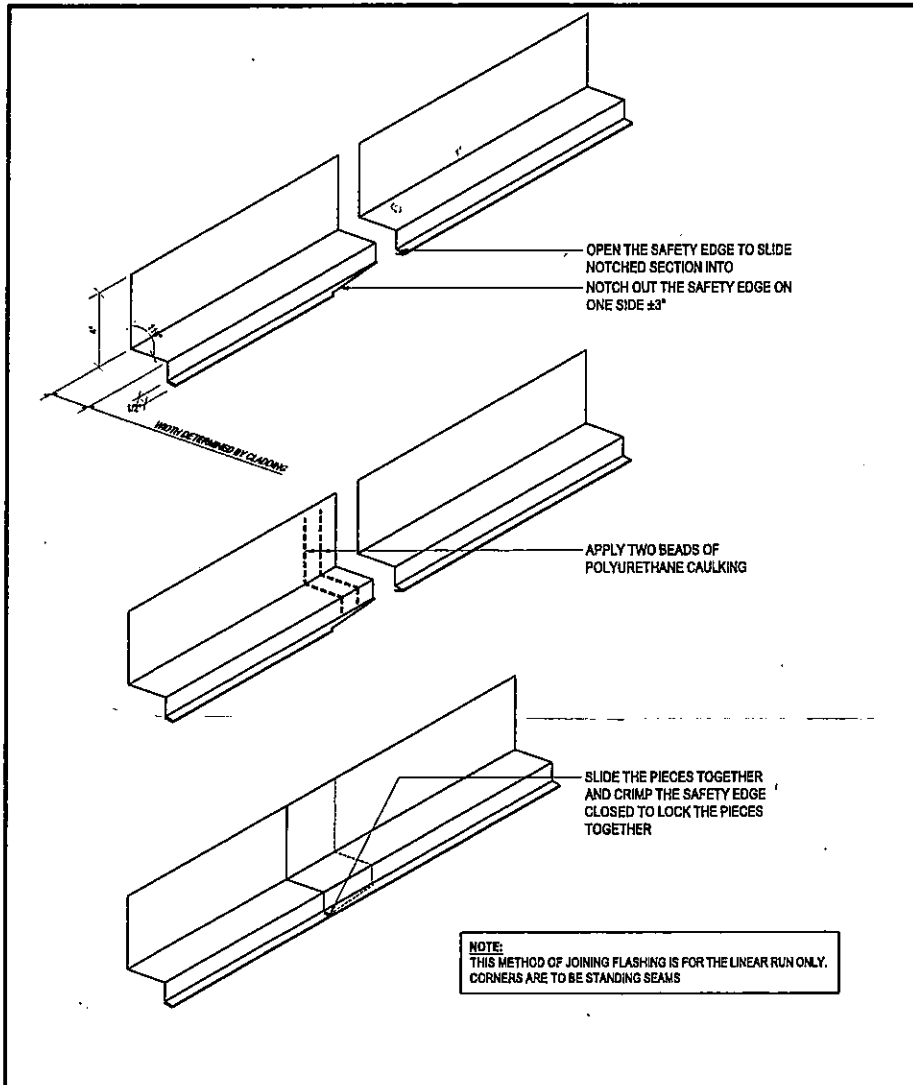




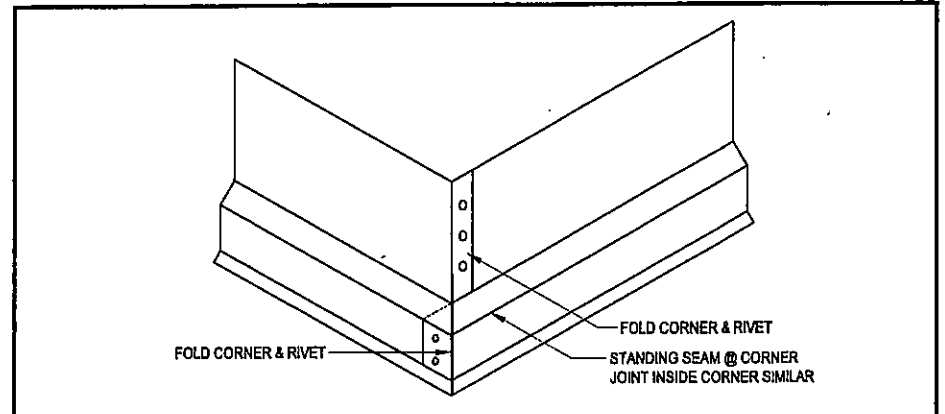
CROSS CAVITY FLASHING	3"=1'-0"	DETAIL
		RS
	JUNE 2016	



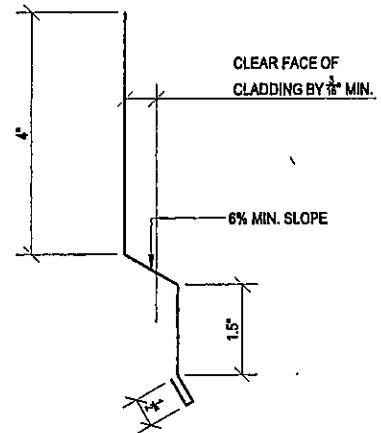
FLASHING END DAMS	NTS	DETAIL
	JUNE 2016	



THROUGH WALL FLASHING	NTS	DETAIL
	JUNE 2016	

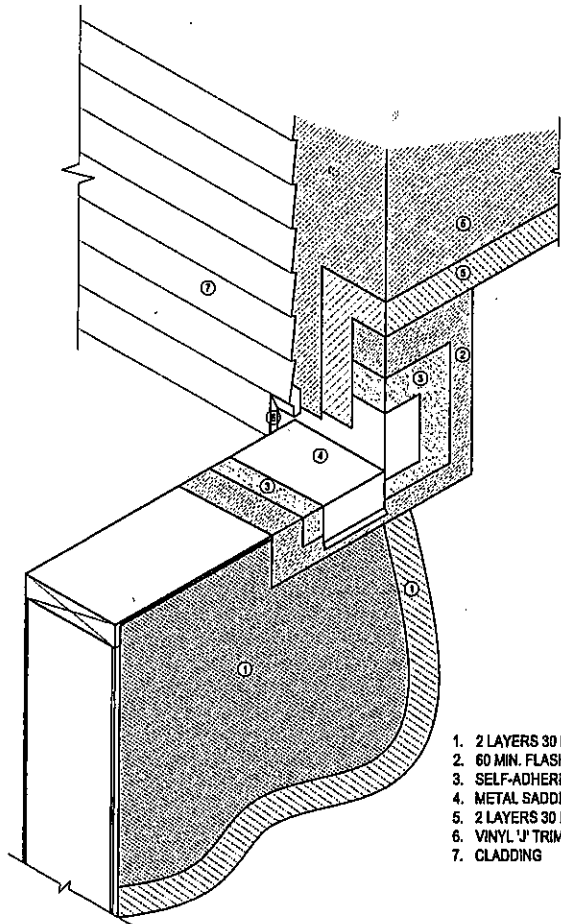


A. OUTSIDE CORNER & LAP JOINT DETAIL



B. CROSS CAVITY FLASHING

CROSS CAVITY FLASHING	NTS	DETAIL
	JUNE 2016	



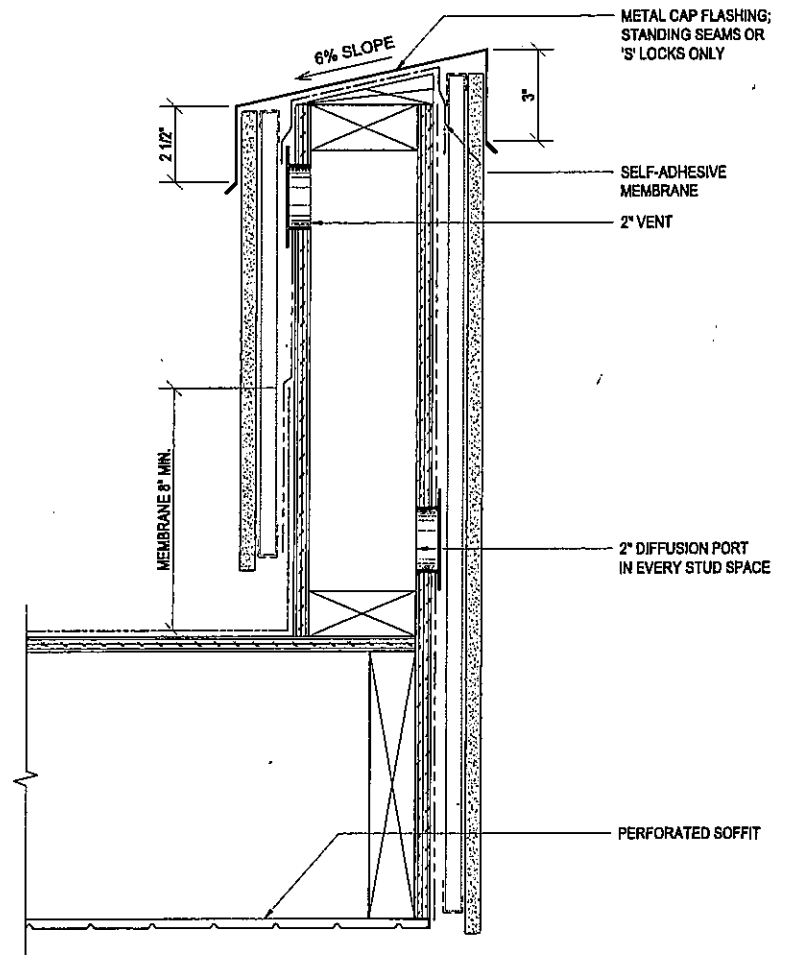
1. 2 LAYERS 30 MIN. BUILDING PAPER
2. 60 MIN. FLASHING PAPER
3. SELF-ADHERED MEMBRANE
4. METAL SADDLE FLASHING
5. 2 LAYERS 30 MIN. BUILDING PAPER
6. VINYL 'U' TRIM
7. CLADDING

SADDLE DETAIL

NTS

DETAIL

JUNE 2016



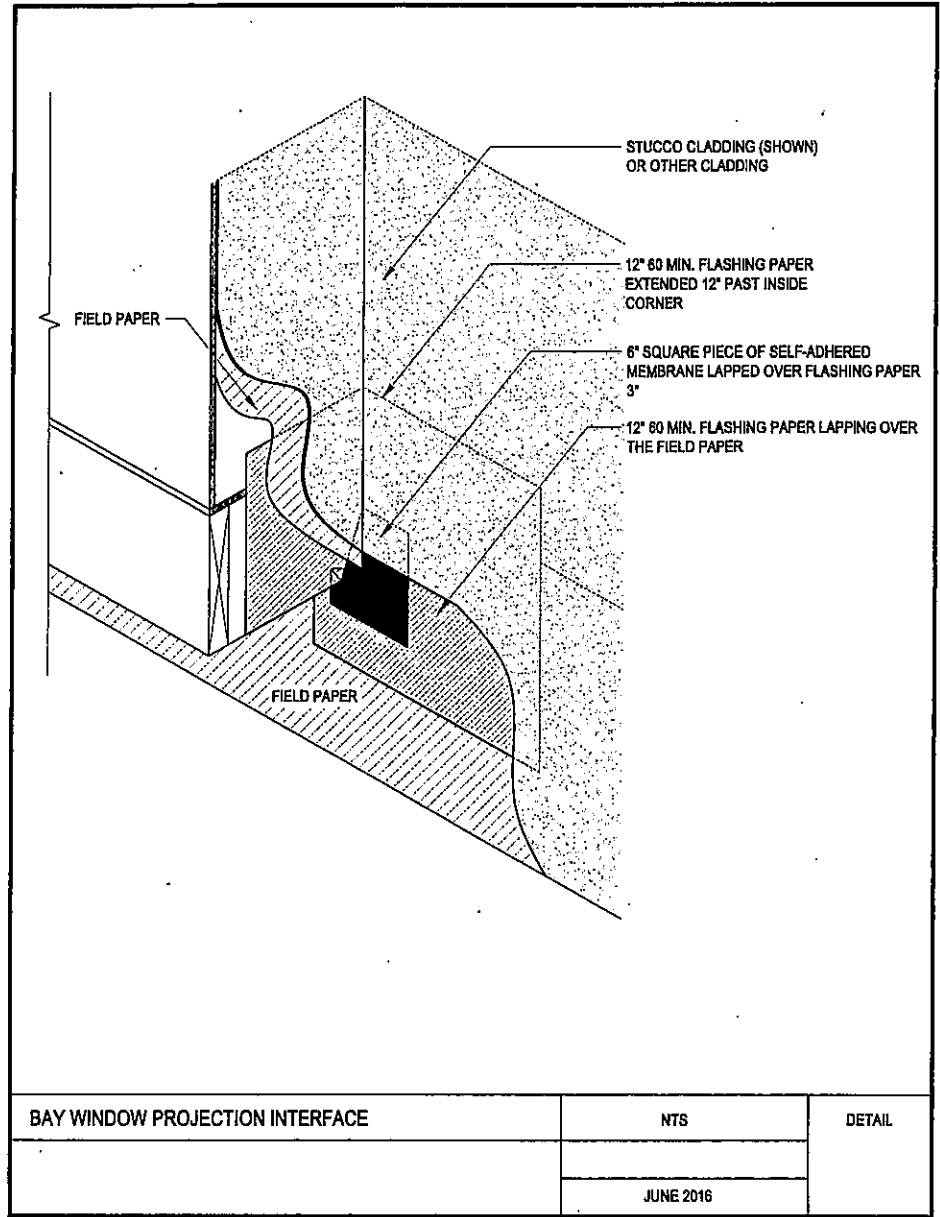
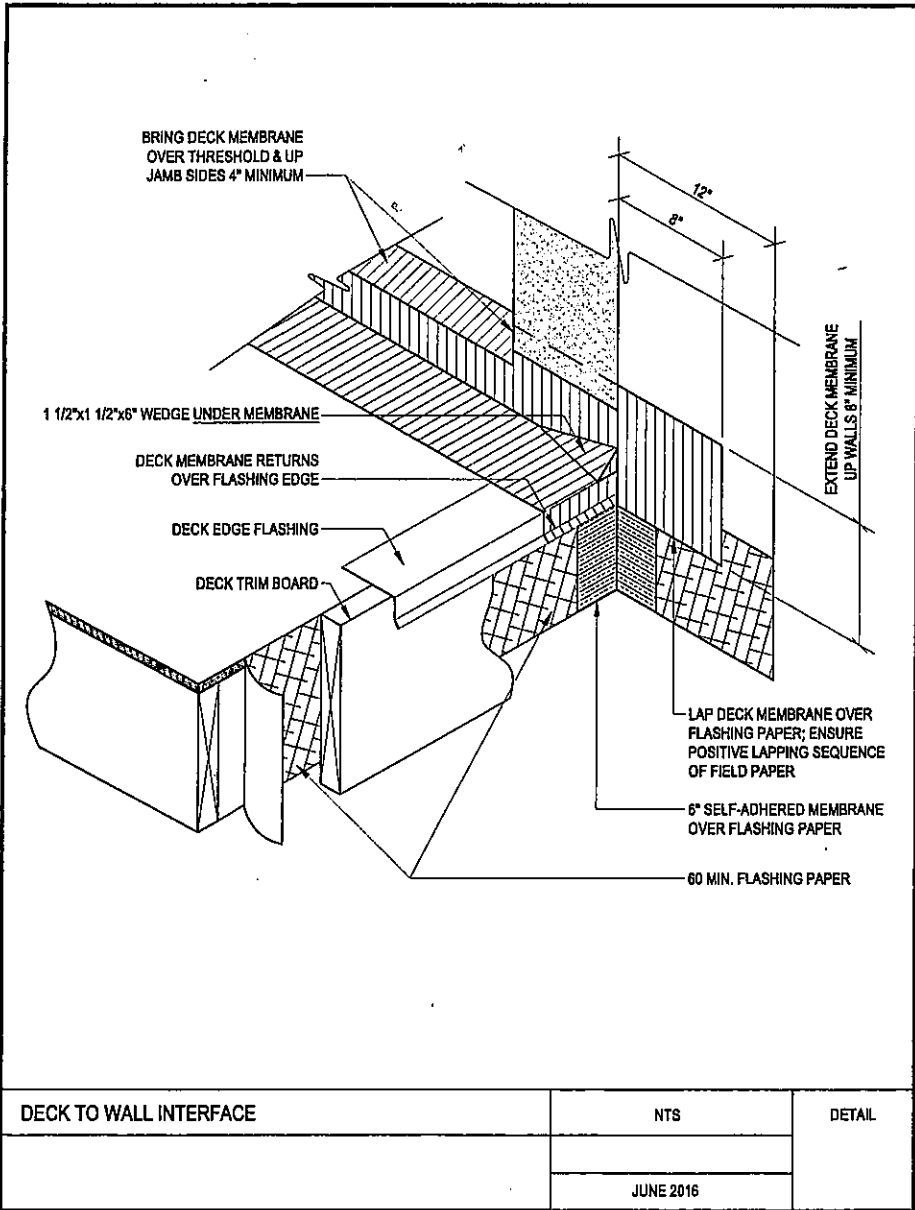
CAP FLASHING @ PARAPET WALL DETAIL

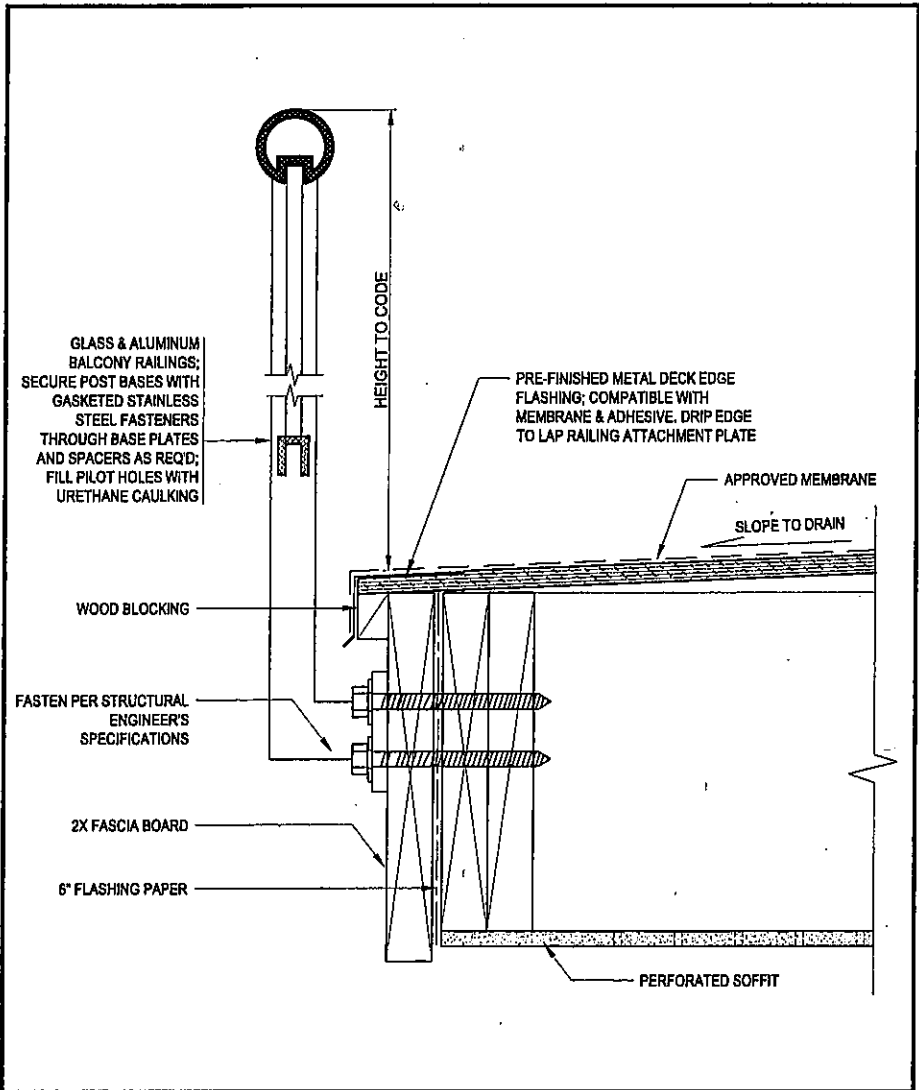
3"=1'-0"

DETAIL

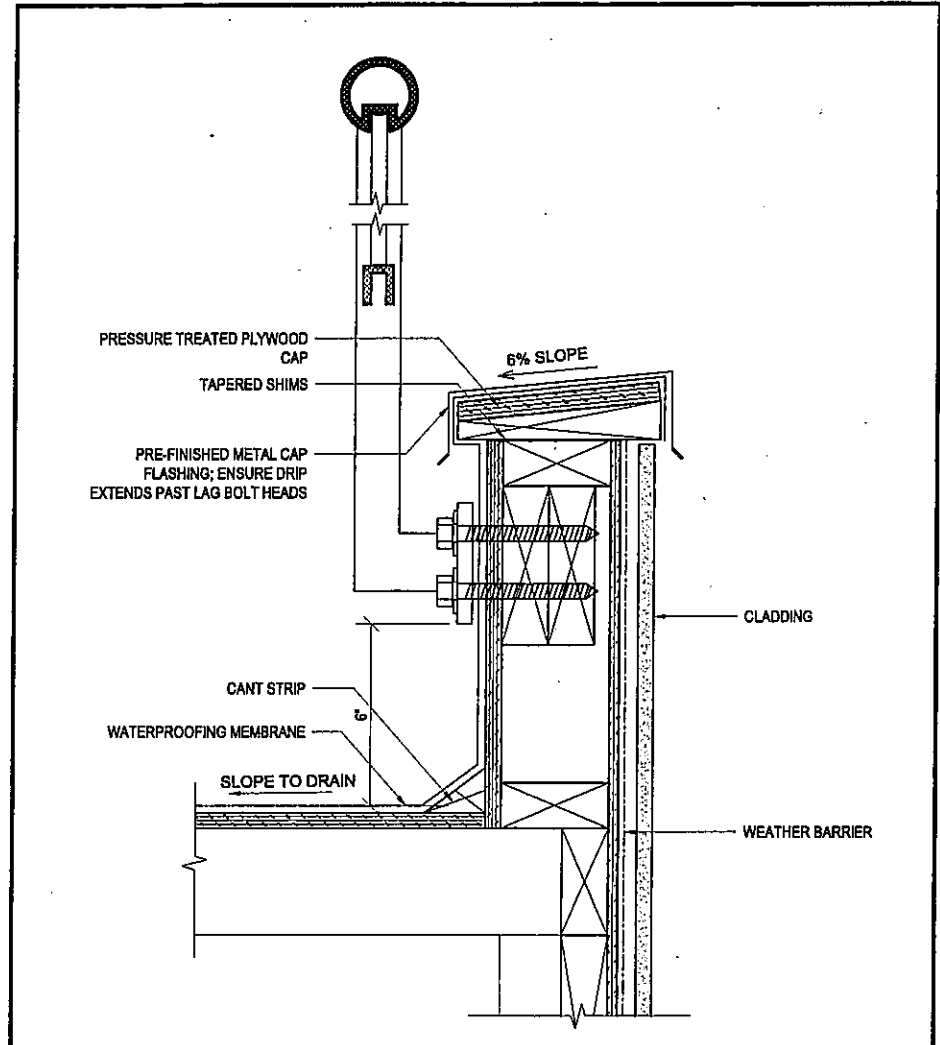
JUNE 2016

RS

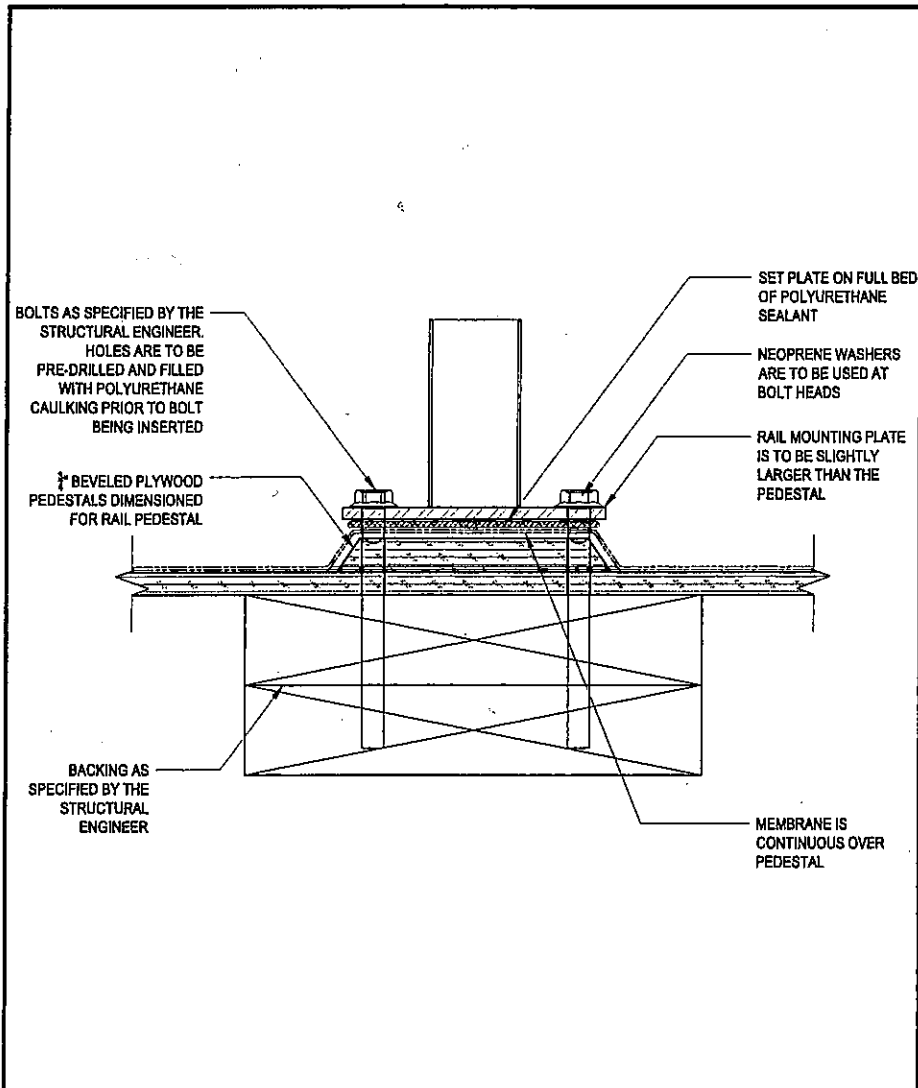




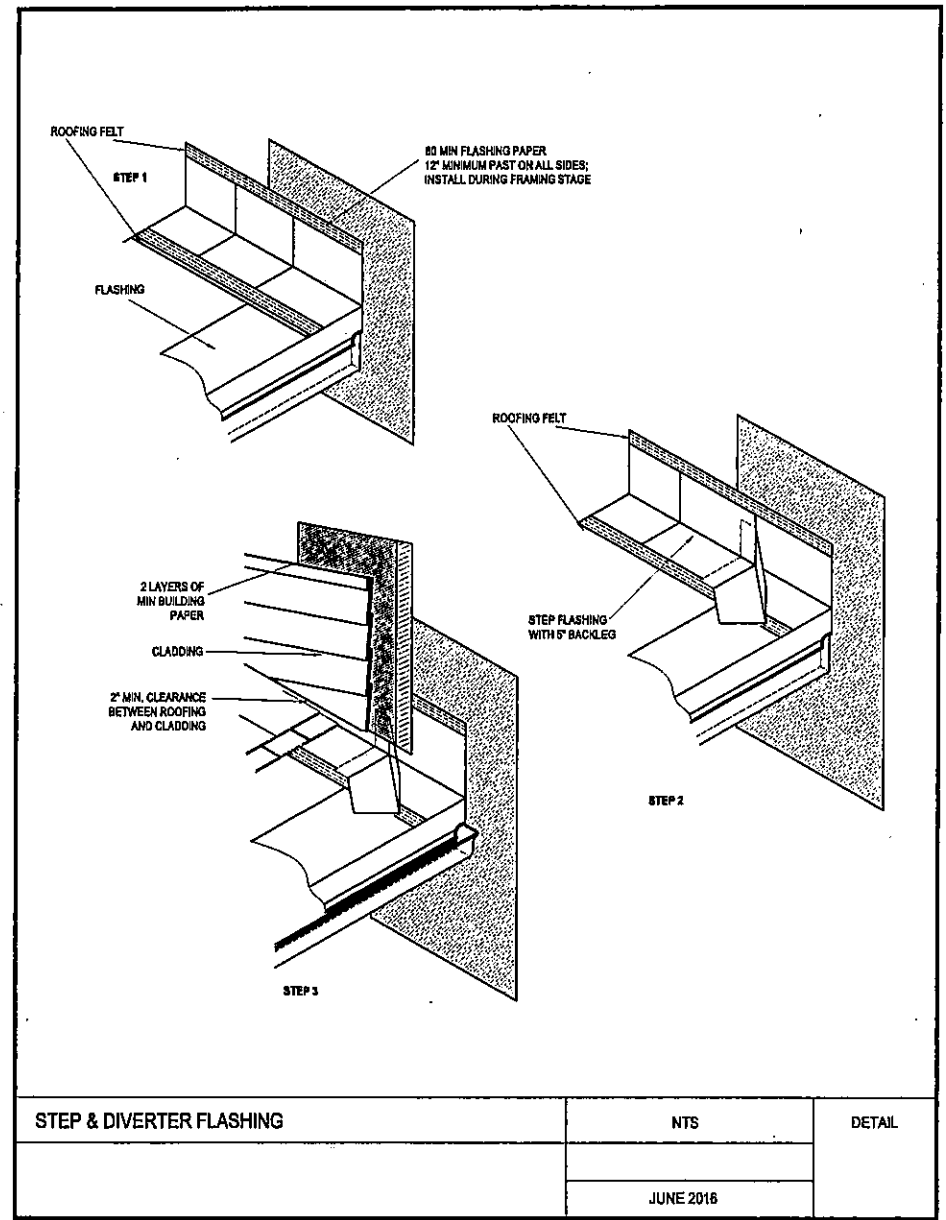
FACE-MOUNTED RAILING ATTACHMENT	3" = 1'-0"	DETAIL
	JUNE 2016	



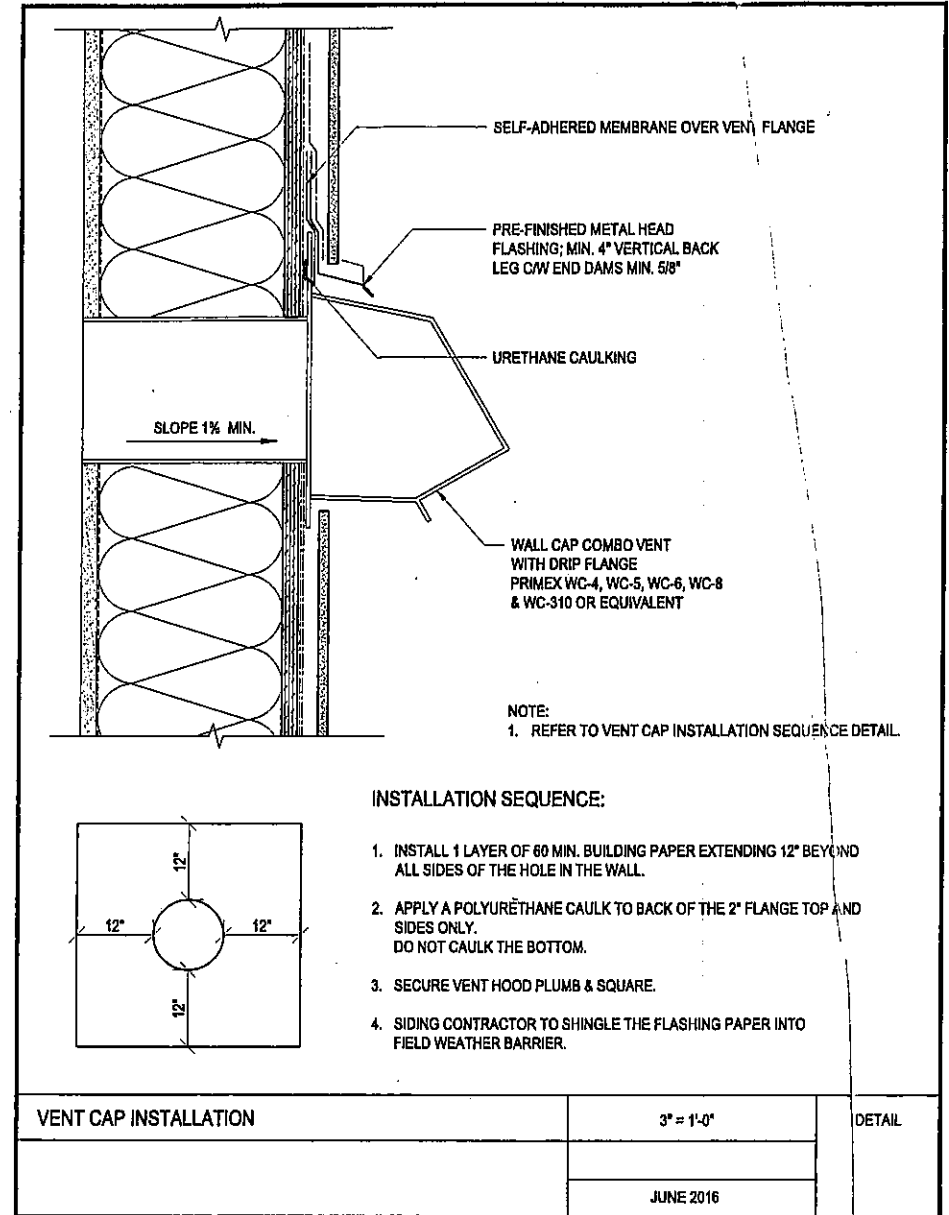
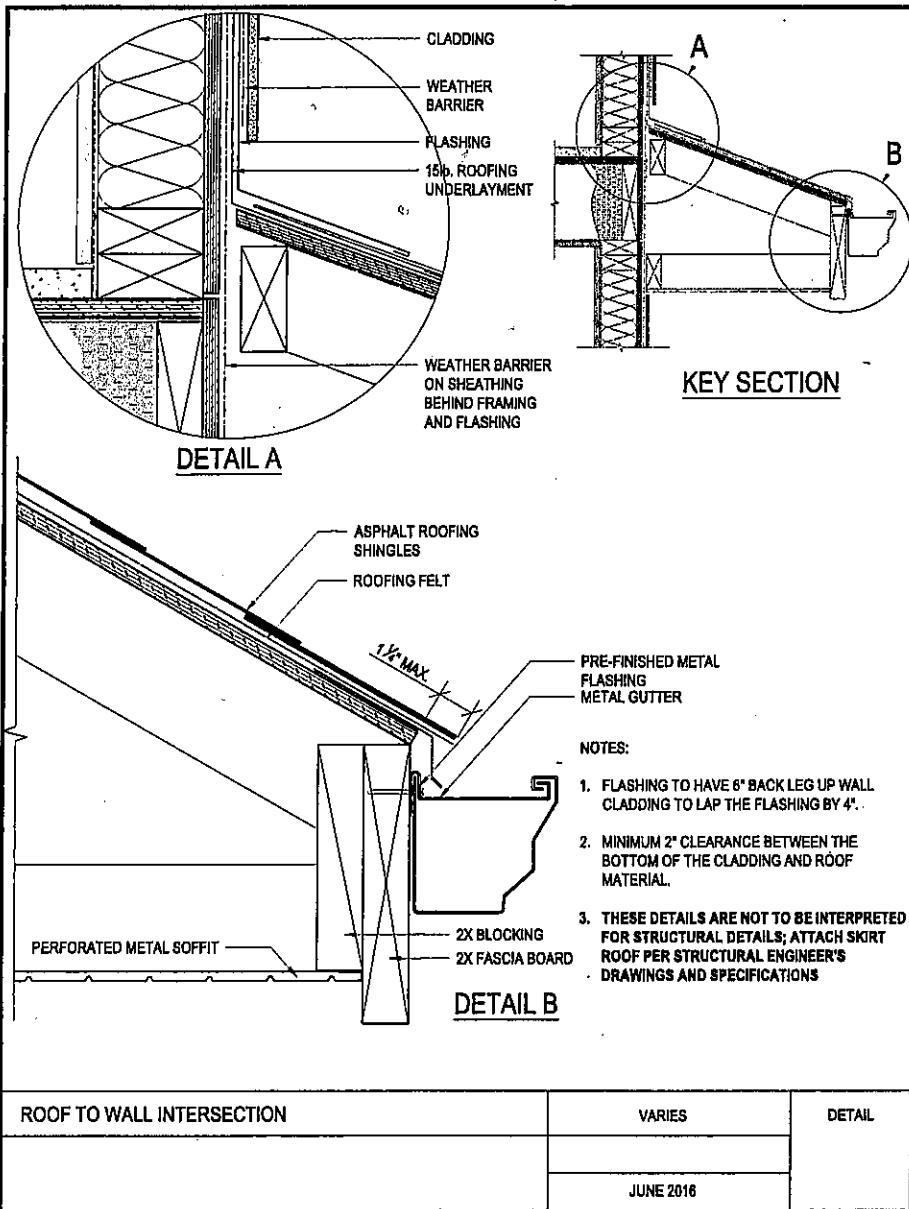
FLAT ROOF CURB	3" = 1'-0"	DETAIL
	JUNE 2016	

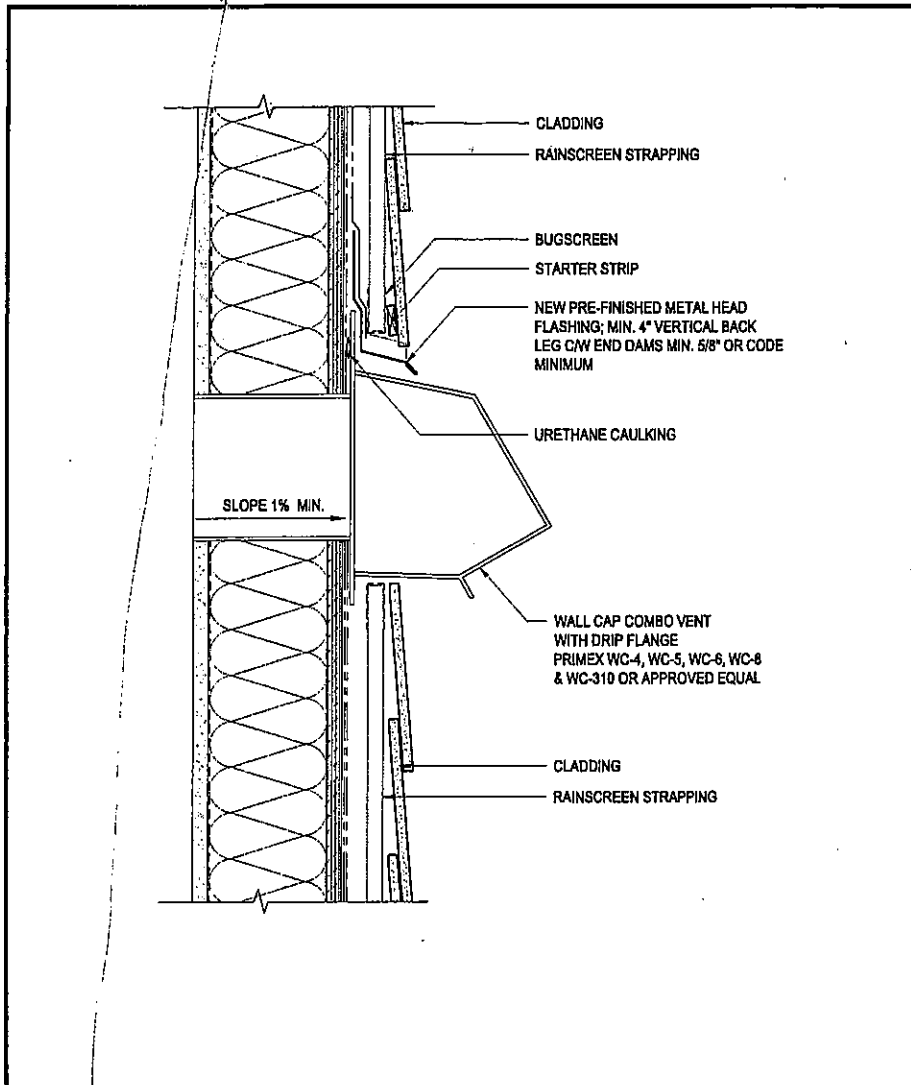


TOP-MOUNTED RAILING	6"=1'-0"	DETAIL
	JUNE 2016	

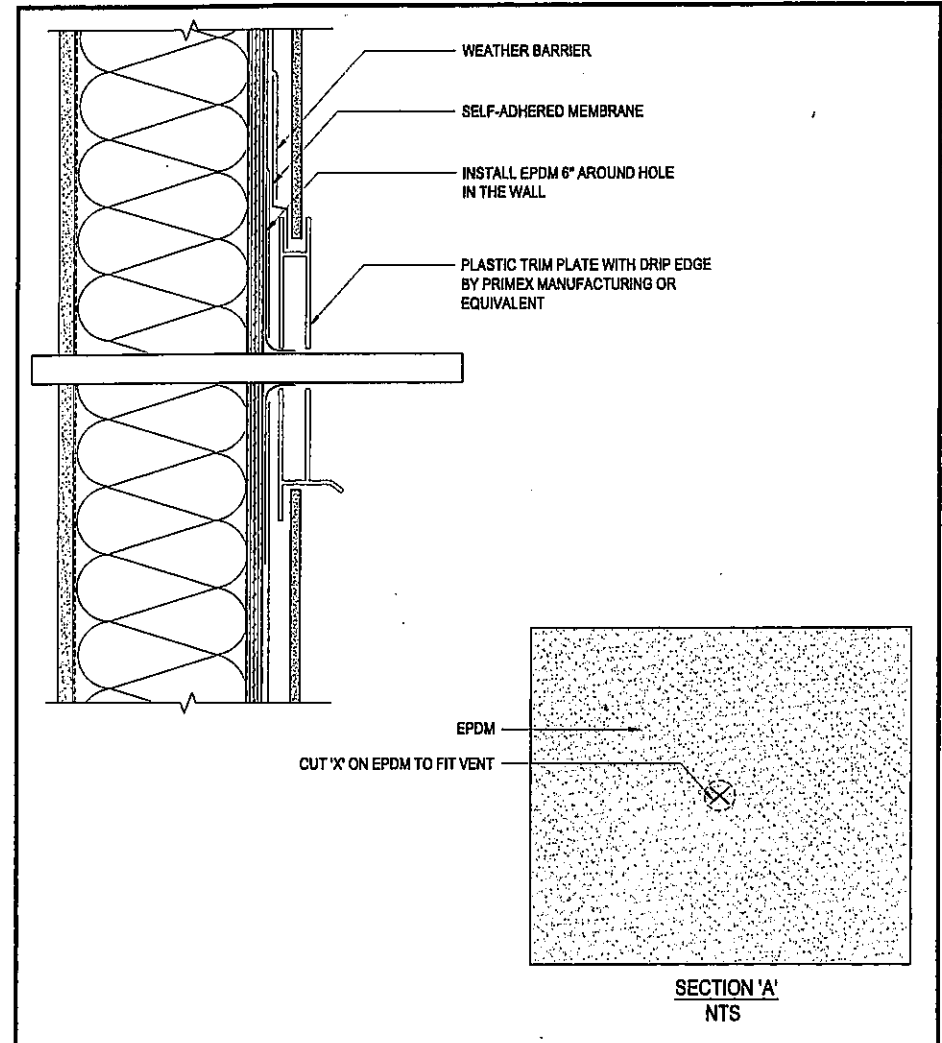


STEP & DIVERTER FLASHING	NTS	DETAIL
	JUNE 2016	

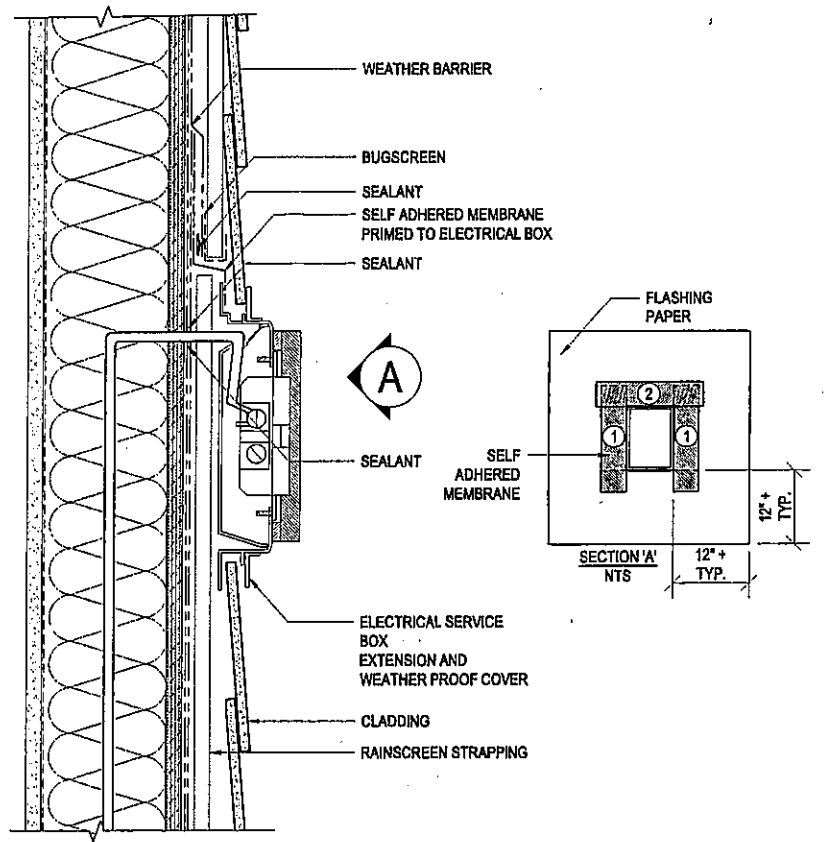
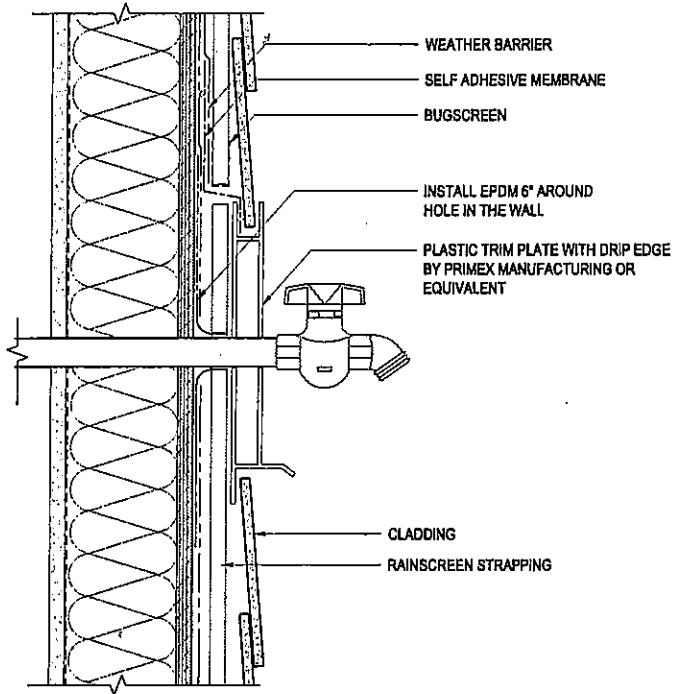




VENT CAP INSTALLATION	3" = 1'-0"	DETAIL
		RS
	JUNE 2016	



PIPE PENETRATION	3" = 1'-0"	DETAIL
	JUNE 2016	



PIPE PENETRATION	3"=1'-0"	DETAIL
	JUNE 2016	

ELECTRICAL BOX INSTALLATION	3"=1'-0"	DETAIL
	JUNE 2016	RS