

Material is 304 Stainless Steel, depending on availability of 12" flange

End Plate ( Up Stream Side)

End Plate ( Down Stream Side)

John Enevoldson  
Engineering  
Civil and Structural Engineering  
Phone: 604.886-3500  
Fax: 604.886-3506  
614 Pacific Rd  
Barnston BC

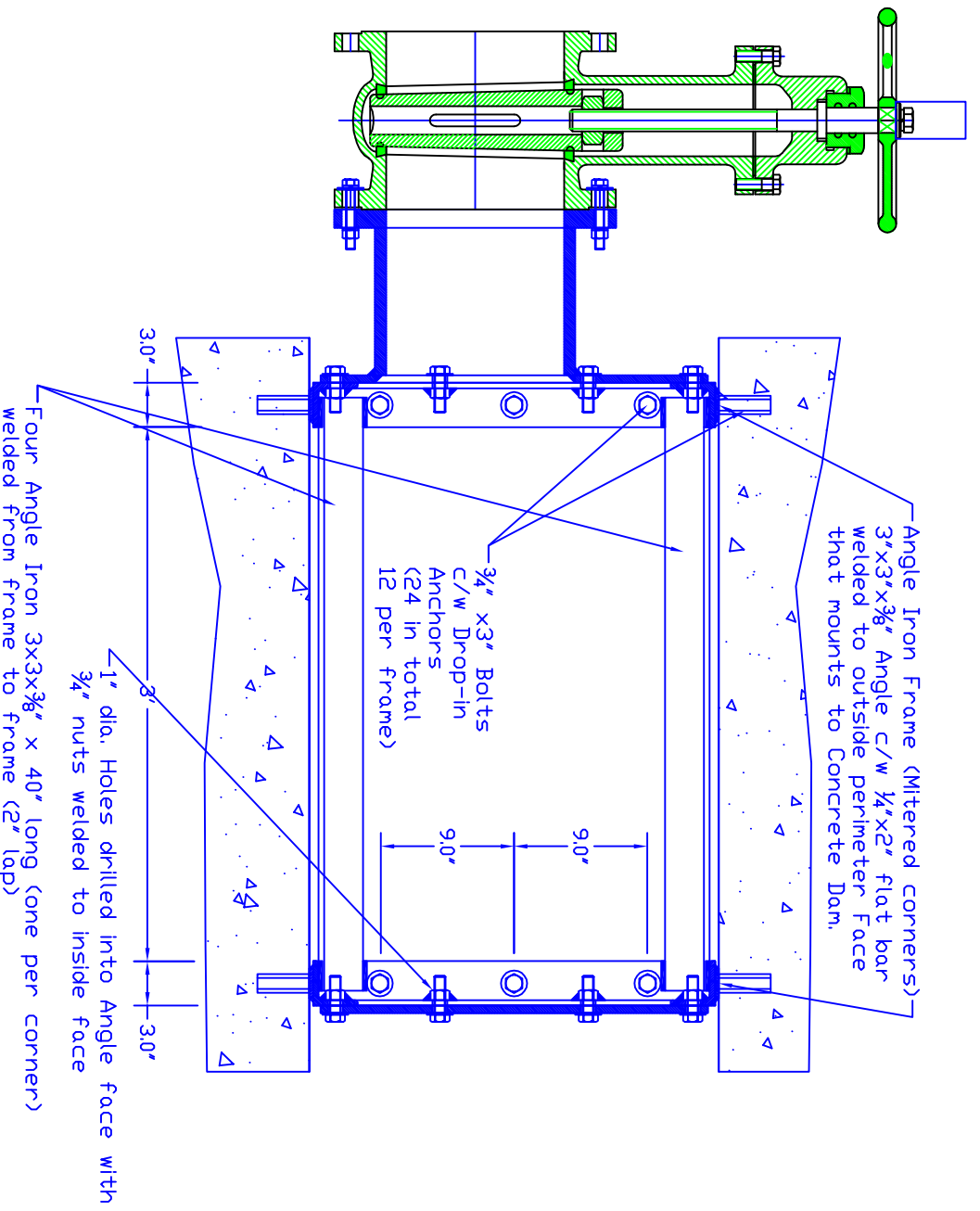
No.	Date	By	Revision
0	10/23/2015	J.E.	FOR REVIEW AND PRICING

Ch'd	
------	--

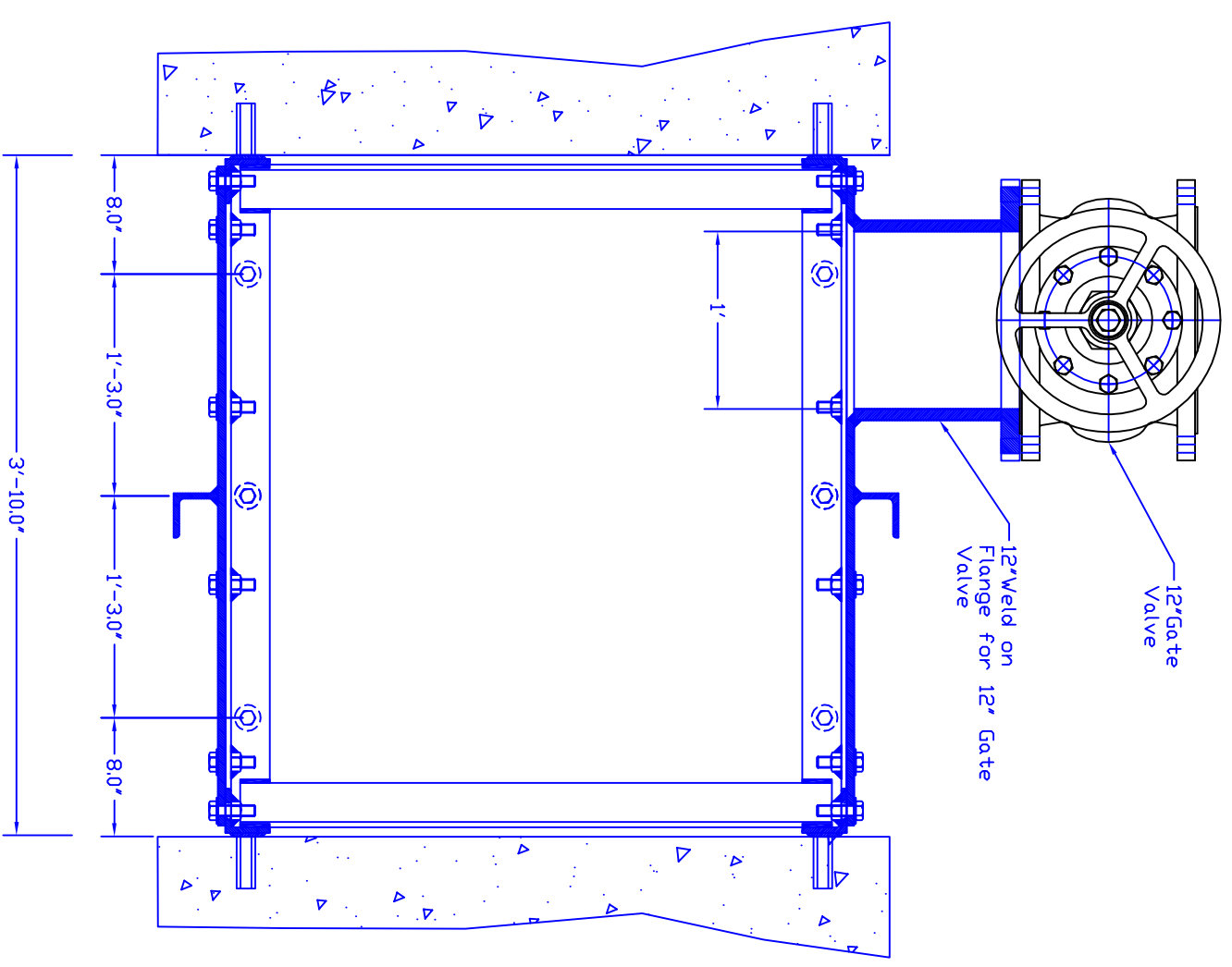
Drawn	J.E.
Design	J.E.
Approved	
Date	Oct./2015
Scale	1" = 1'-0"

CLIENT	SCRD
TITLE	Dam Relief Valve- End Plates

Project #	
Drawing No.	STR 3
Rev.	0



Side View of Box Frame  
End Plates and Inlet Valve

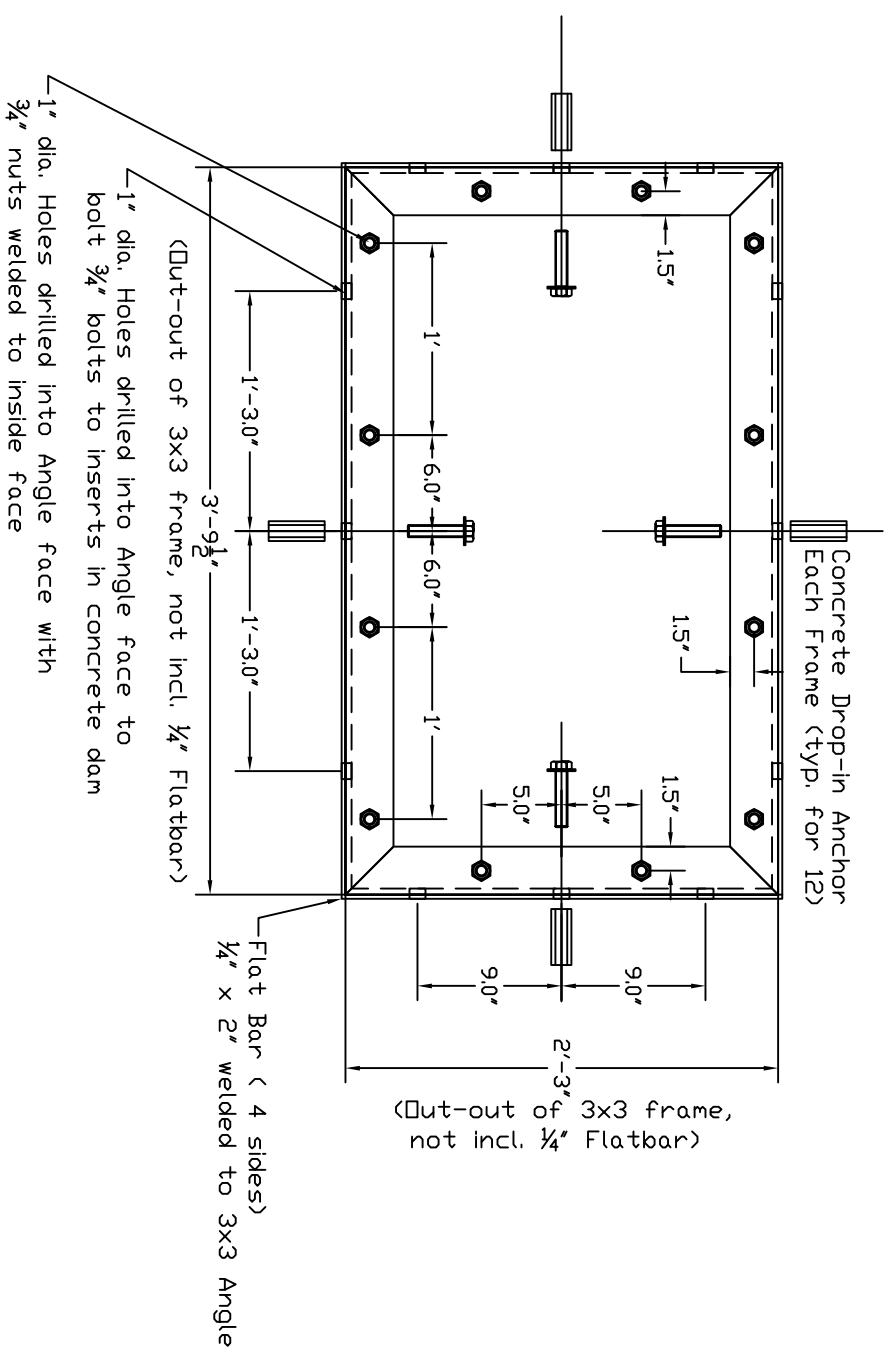


Top View of Box Frame  
End Plates and Inlet Valve

John Enevoldson  
Engineering  
Civil and Structural Engineering  
Phone 604.886-3500  
Fax 604.886-3505  
614 Prince Rd  
Barnston BC

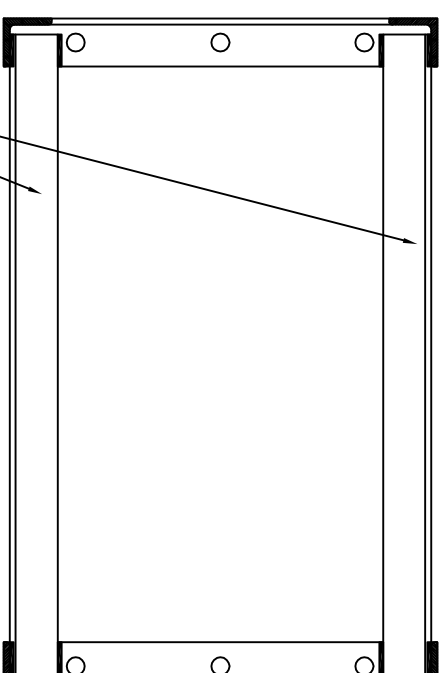
No.	Date	By	Revision
0	10/23/2015	J.E.	FOR REVIEW AND PRICING

Drawn	J.E.	CLIENT	SCRD	Project #
Design	J.E.	TITLE	Dam Relief Valve Structure	
Approved				
Date	Dec./2015			
Scale	1" = 1'-0"			
Drawing No.	STR 1	Rev.	No. 0	



End View of Box Frame  
Typical for two

Material is 304 Stainless Steel



Side View of Box Frames  
With Angle Iron Ties

John Enevoldson  
Engineering  
Civil and Structural Engineering

Phone 5644 886-3500  
Fax 5644 886-3505  
614 Park Rd. Amherst, NJ

No.	Date	By	Revision
0	10/23/2015	J.E.	FOR REVIEW AND PRICING

Drawn	J.E.
Design	J.E.
Approved	
Date	Oct./2015
Scale	1" = 1'-0"

CLIENT	SCRD
TITLE	Dam Relief Valve- End Frames 2 req'd

Project #	
Drawing No.	STR 2
Rev.	0