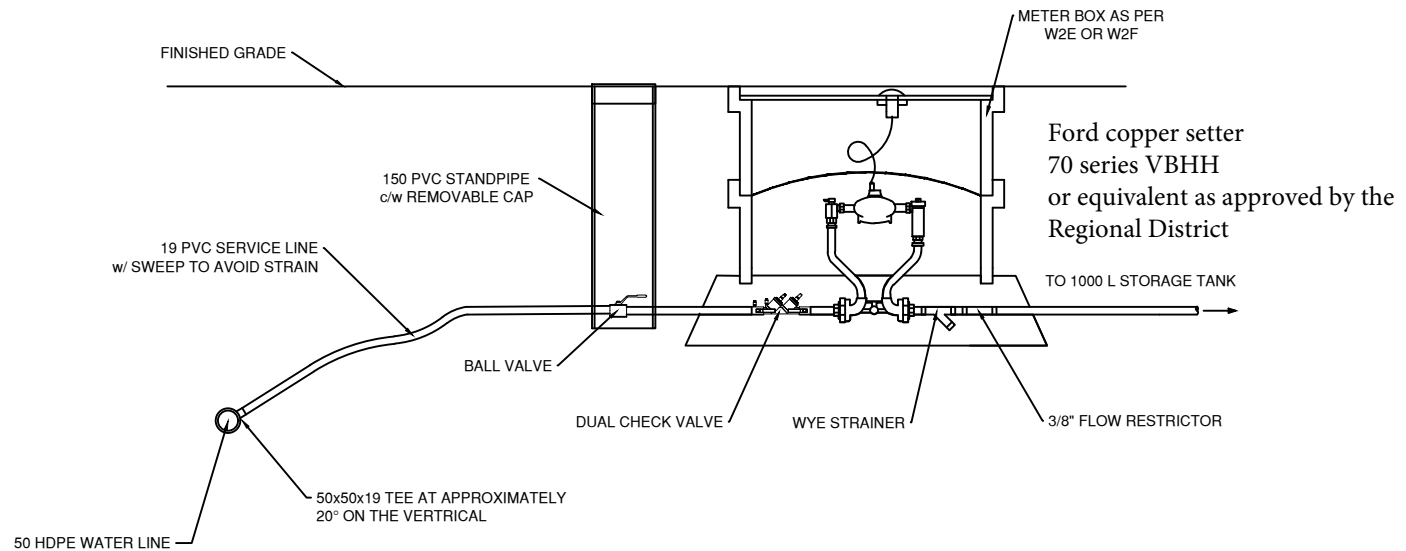


# SCRD

# STANDARD DETAIL DRAWINGS



1. ALL MEASUREMENTS IN MILLIMETERS UNLESS STATED OTHERWISE

NOT TO SCALE

WATER SERVICE CONNECTION - EASTBOURNE

DRAWING NUMBER:

**W1-E**