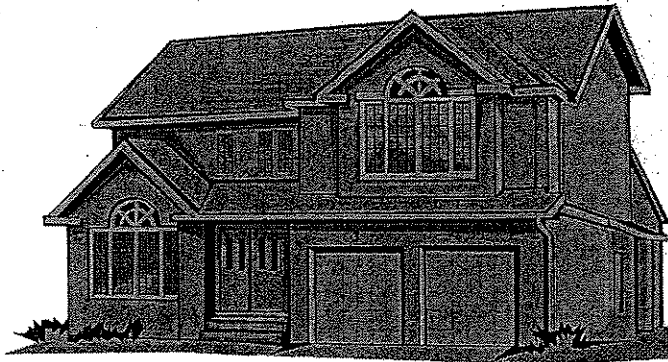


SUNSHINE COAST REGIONAL DISTRICT

A REFERENCE GUIDE TYPICAL RAINSCREEN WALL, WINDOW AND DOOR DETAILS



These details are provided to Builders/Owners as information only. It is the responsibility of the Builders/Owners to ensure adequacy and completeness.

DISCLAIMER

THE INFORMATION CONTAINED IN THIS DOCUMENT REPRESENTS CURRENT WOOD FRAME BUILDING PRACTICES IN THE BRITISH COLUMBIA COASTAL REGION AND HAS BEEN REVIEWED BY A SPECTRUM OF INDUSTRY PARTICIPANTS.

THE READER IS ADVISED TO EVALUATE THE INFORMATION, MATERIALS AND TECHNIQUES CAUTIOUSLY AND TO CONSULT APPLICABLE BUILDING CODES AND GUIDELINES TO DETERMINE WHETHER THE INFORMATION, MATERIALS AND TECHNIQUES ARE SUITABLE IN EACH INSTANCE.

THE DRAWINGS AND TEXT ARE INTENDED AS A GENERAL REFERENCE GUIDE ONLY. PROJECT AND SITE SPECIFIC FACTORS INCLUDING CLIMATE, EXPOSURE, COMPLEXITY, AESTHETICS, ETC. MUST ALWAYS BE TAKEN INTO CONSIDERATION.

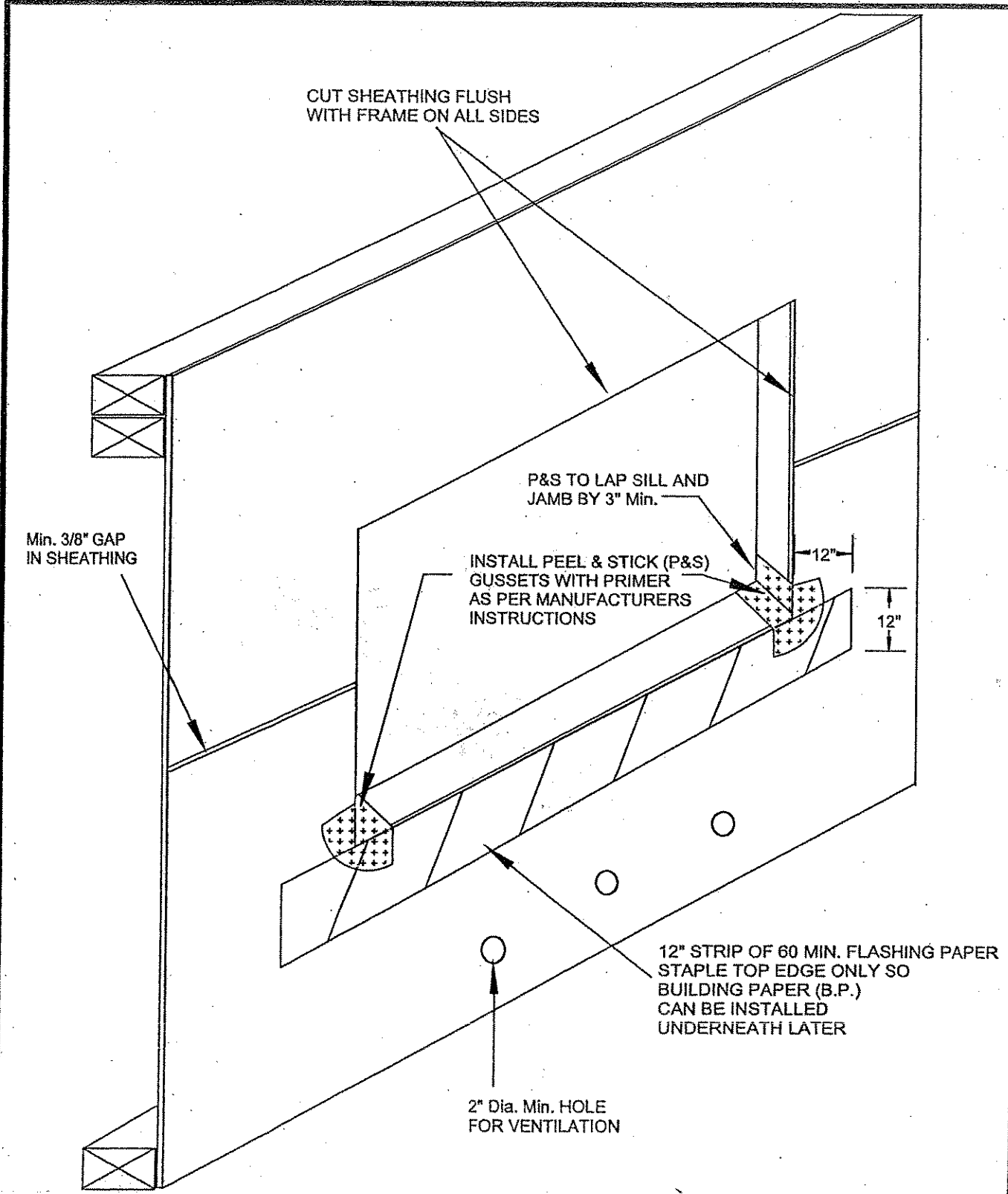
LIMITATIONS

THESE DETAILS ARE INTENDED AS A PRACTICAL REFERENCE GUIDE FOR ASSEMBLING THE BUILDING ENVELOPE IN WOOD FRAME CONSTRUCTION. IT IS NOT INTENDED TO REPLACE PROFESSIONAL ADVICE.

ENSURE THAT ALL PROPOSED PRODUCTS AND SYSTEMS ARE ACCEPTABLE TO THE BUILDING AUTHORITY HAVING JURISDICTION PRIOR TO INSTALLATION.

THE INFORMATION PRESENTED HEREIN IS NOT EXCLUSIVE, MANY PRODUCTS AND METHODS MAY BE USED AS ALTERNATIVES TO SATISFY REGIONAL REQUIREMENTS, COST CONSIDERATIONS, AVAILABILITY AND SPECIFIC DESIGN REQUIREMENTS.

ENSURE THAT MATERIALS USED IN CONJUNCTION WITH ONE AND ANOTHER ARE COMPATIBLE.



Sill Flashing Paper & Gussets	NTS	Detail
Warranty Provider Accepted	March 2007	1.0

OVERLAP ALL FLASHING PAPER
SHINGLE STYLE (AS SHOWN)

60 MIN.
FLASHING
PAPER

Place plastic horseshoe shims on sill
spaced as per window manufacturers
specifications.
Ensure that the shims do not extend
past the inside of the window frame.
Place one behind each fastener
when fastening the sill flange

APPLY P&S WITH PRIMER AS PER
MANUFACTURERS REQUIREMENTS
FROM INSIDE OF SILL EXTEND DOWN
THE PAPER AND UP THE JAMBS BY 3" Min.

Peel & Stick & Flashing Paper

Warranty Provider Accepted

NTS

March 2007

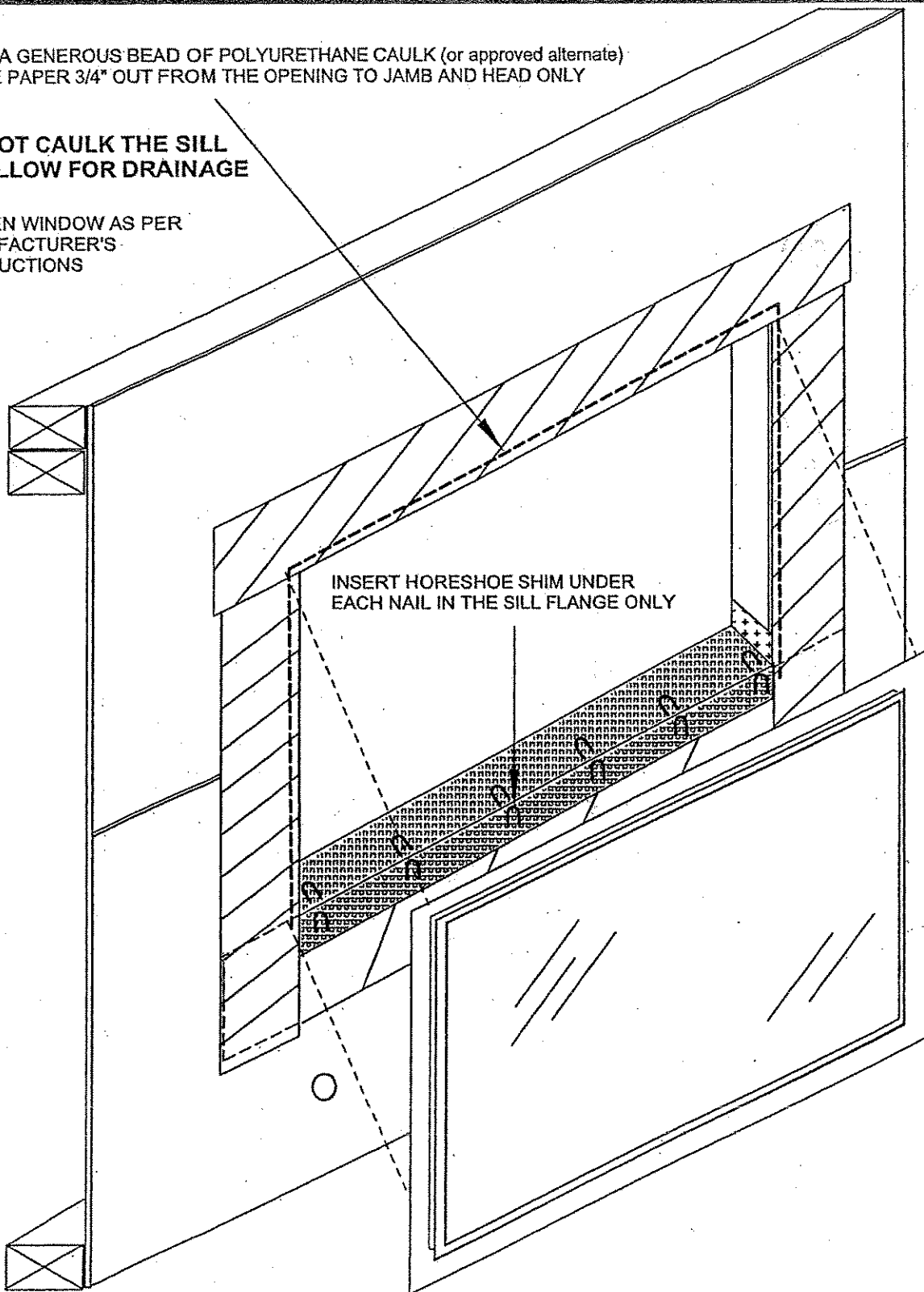
Detail

1.1

APPLY A GENEROUS BEAD OF POLYURETHANE CAULK (or approved alternate)
TO THE PAPER 3/4" OUT FROM THE OPENING TO JAMB AND HEAD ONLY

DO NOT CAULK THE SILL
TO ALLOW FOR DRAINAGE

FASTEN WINDOW AS PER
MANUFACTURER'S
INSTRUCTIONS



INSERT HOESHOE SHIM UNDER
EACH NAIL IN THE SILL FLANGE ONLY

Window Installation

NTS

Detail

Warranty Provider Accepted

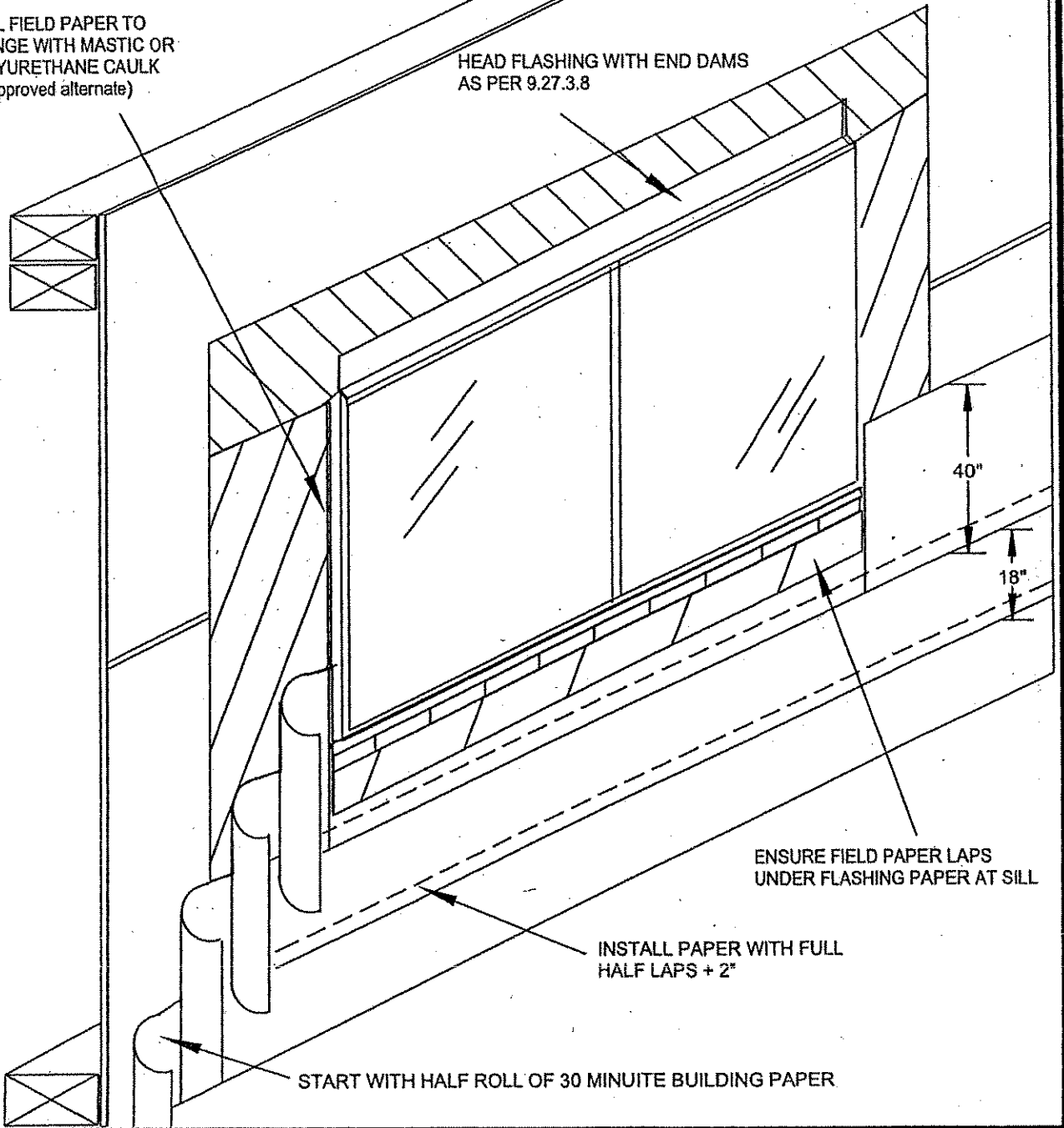
March 2007

1.2

ALL VERTICAL LAPS TO BE 12" Min. AND STAGGERED
 THE INSIDE OF THE FRAME IS TO BE SEALED TO THE
 AIR/VAPOUR BARRIER (A.B & V.B.) ON ALL FOUR SIDES
 WITH POLYURETHANE CAULK AT THE SILL AND
 ROD & CAULK AT THE JAMBS & HEAD

SEAL FIELD PAPER TO
 FLANGE WITH MASTIC OR
 POLYURETHANE CAULK
 (or approved alternate)

HEAD FLASHING WITH END DAMS
 AS PER 9.27.3.8

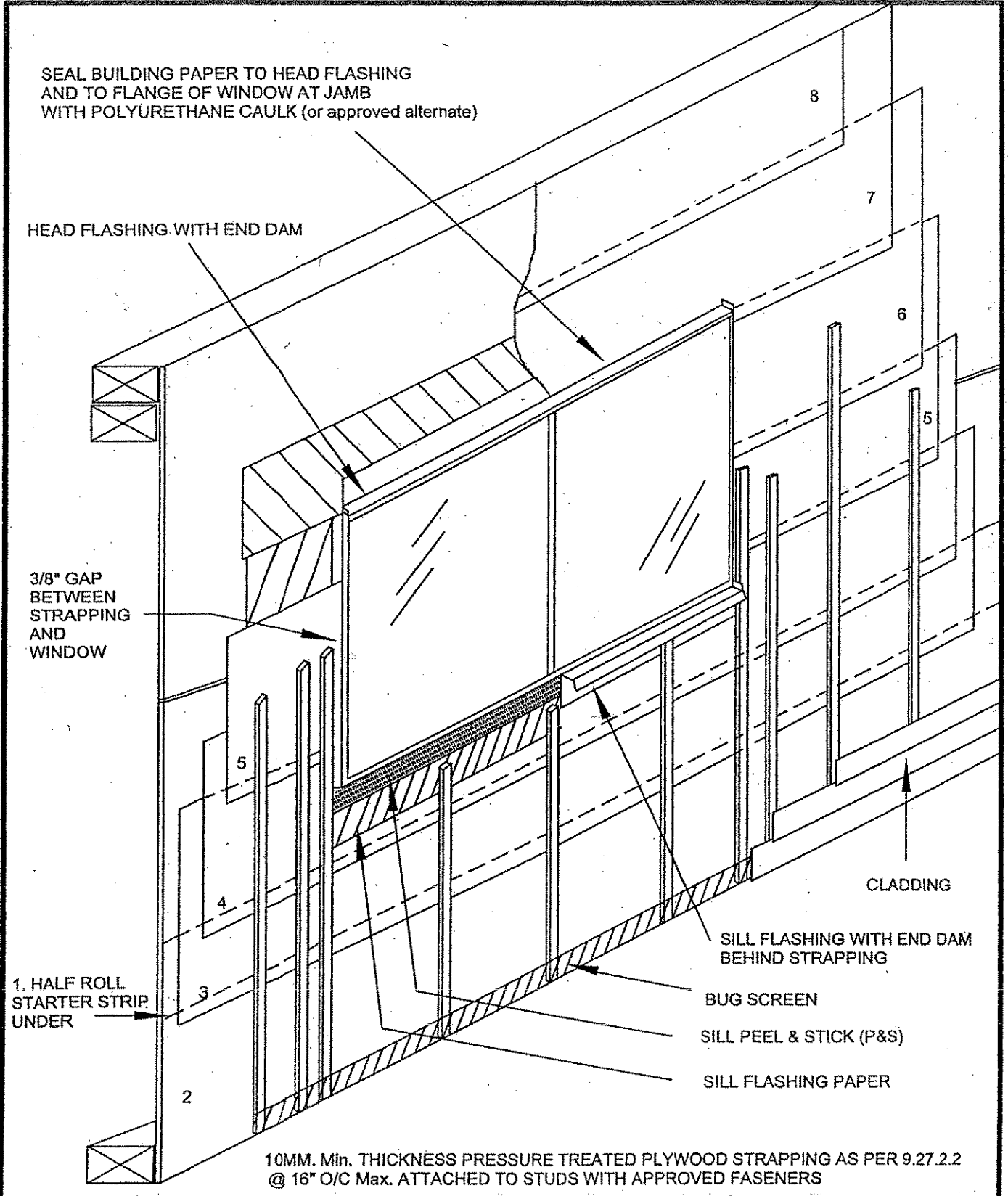


ENSURE FIELD PAPER LAPS
 UNDER FLASHING PAPER AT SILL

INSTALL PAPER WITH FULL
 HALF LAPS + 2"

START WITH HALF ROLL OF 30 MINUTE BUILDING PAPER

Building paper installation	NTS	Detail 1.3
Warranty Provider Accepted		
	March 2007	



SEAL BUILDING PAPER TO HEAD FLASHING AND TO FLANGE OF WINDOW AT JAMB WITH POLYURETHANE CAULK (or approved alternate)

HEAD FLASHING WITH END DAM

3/8" GAP BETWEEN STRAPPING AND WINDOW

1. HALF ROLL STARTER STRIP UNDER

CLADDING

SILL FLASHING WITH END DAM BEHIND STRAPPING

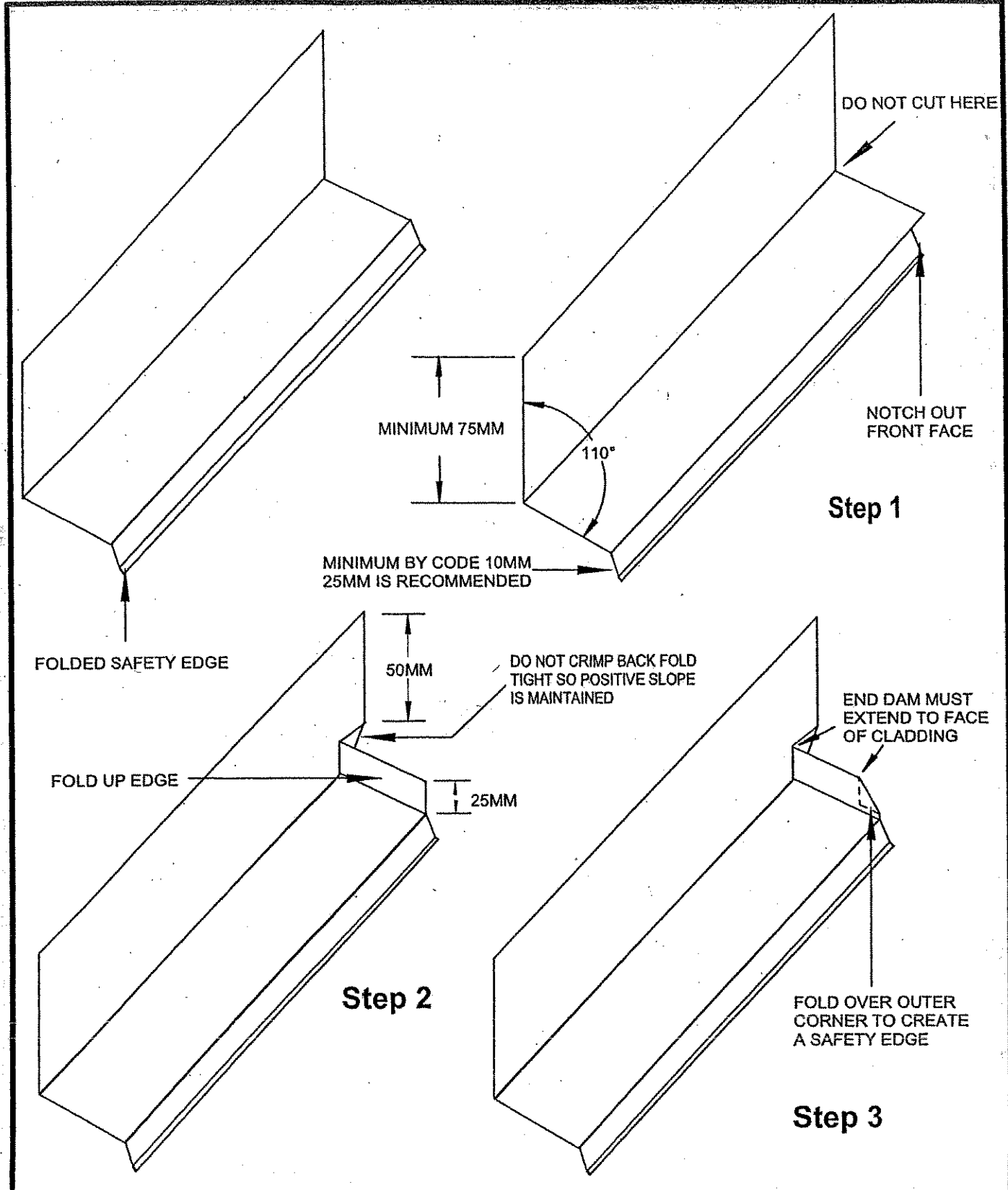
BUG SCREEN

SILL PEEL & STICK (P&S)

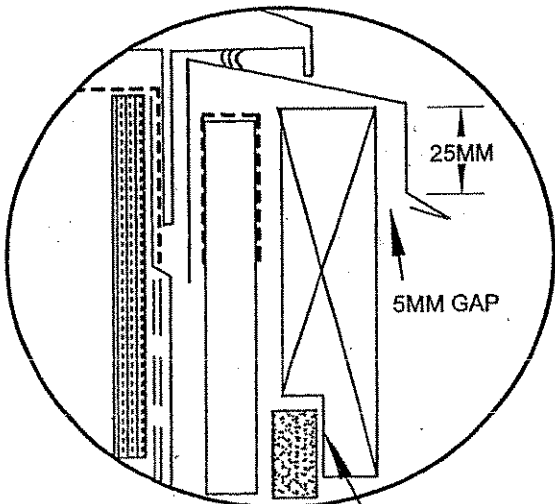
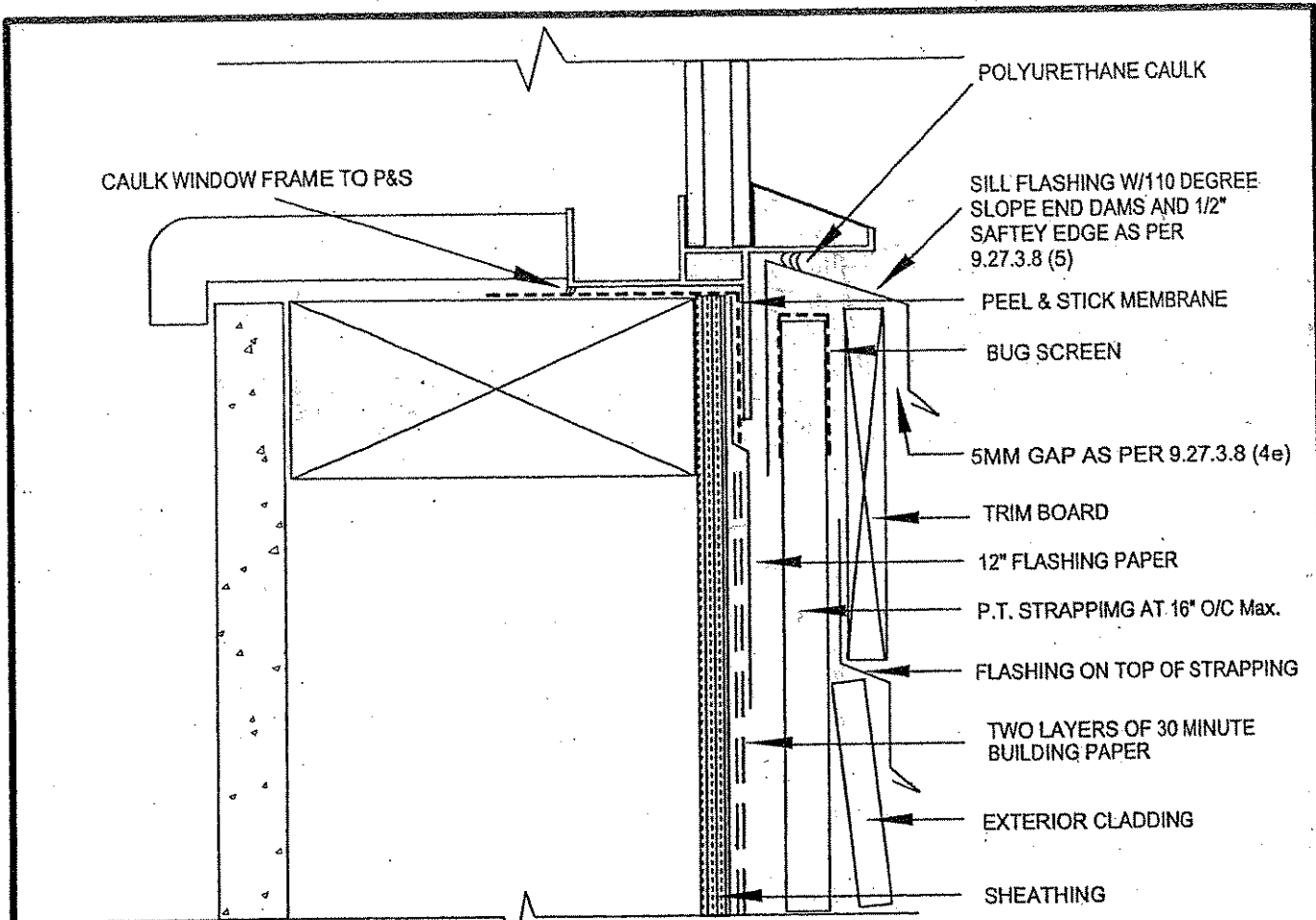
SILL FLASHING PAPER

10MM. Min. THICKNESS PRESSURE TREATED PLYWOOD STRAPPING AS PER 9.27.2.2 @ 16" O/C Max. ATTACHED TO STUDS WITH APPROVED FASENERS

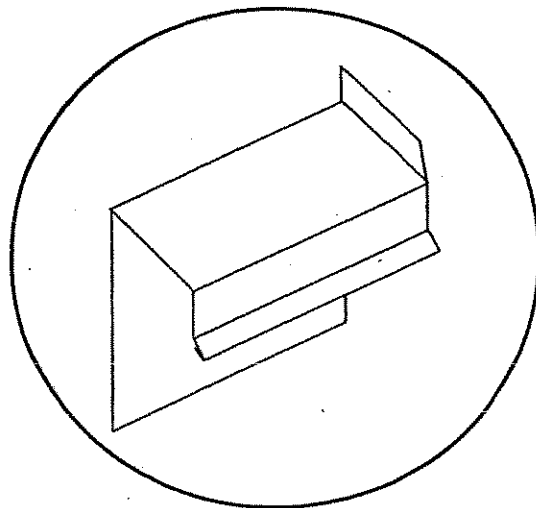
Building paper and strapping installation	NTS	Detail
Warranty Provider Accepted	March 2007	1.4



Window Head Flashing with End Dam - Per: 9.27.3.8	NTS		Detail 2.0
	March 2007		
Warranty Provider Accepted			

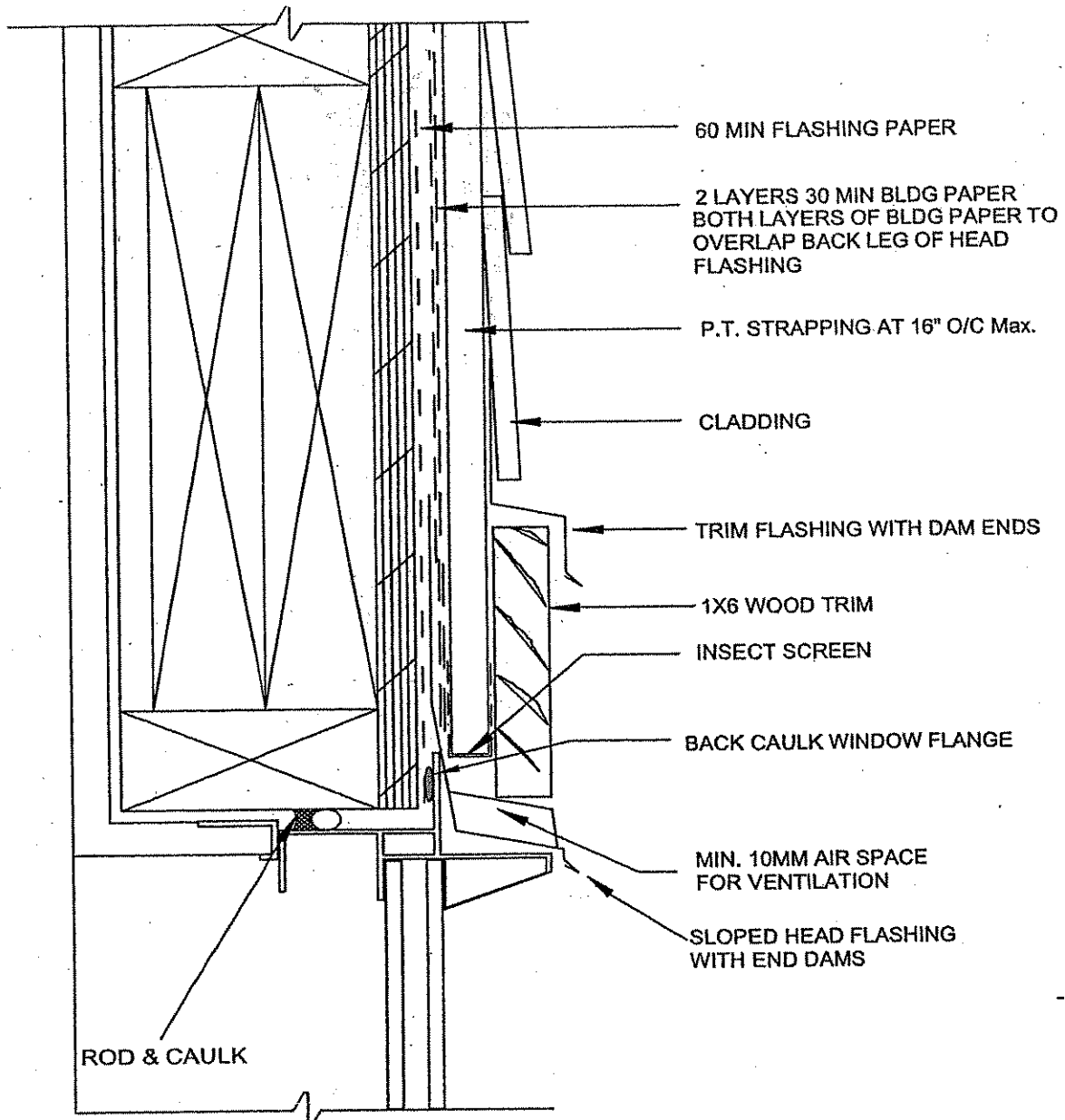


ALTERNATE 2 X 6 TRIM WITH 25MM. Min. NOTCH IN BOTTOM per 9.27.3.8 (2a)



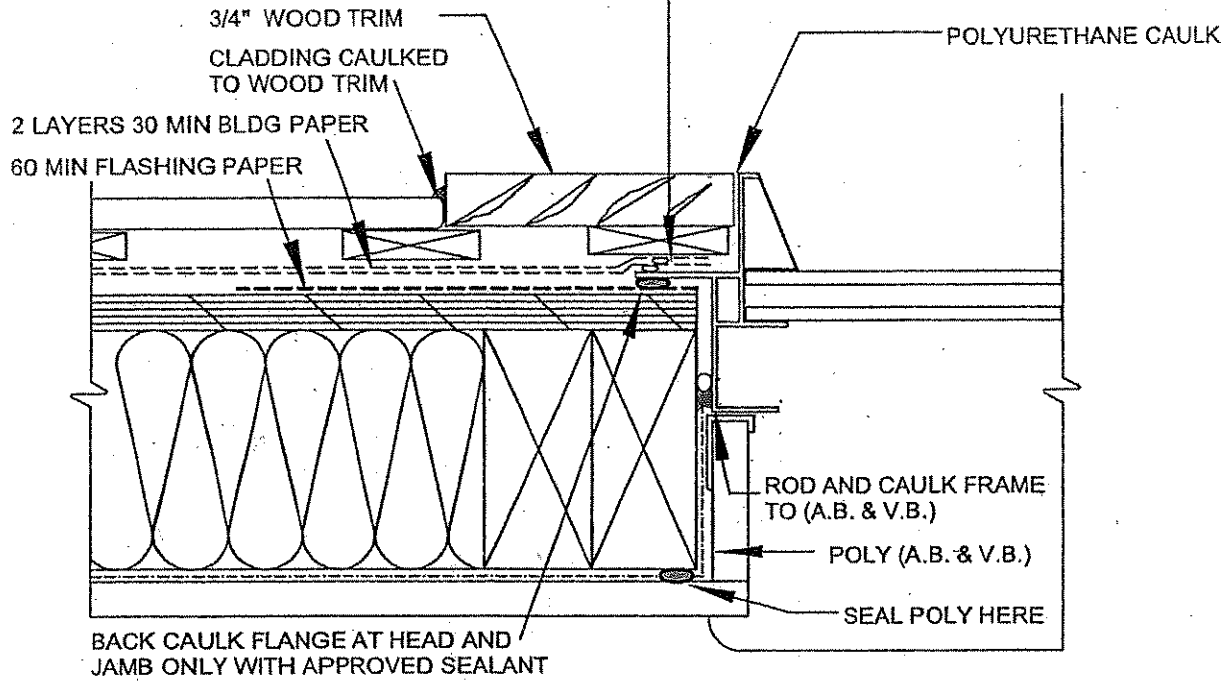
SILL FLASHING WITH END DAM (all dimensions similar to head flashing)

Window Sill (flanged window with trim)	NTS	Detail 3.0
Warranty Provider Accepted		

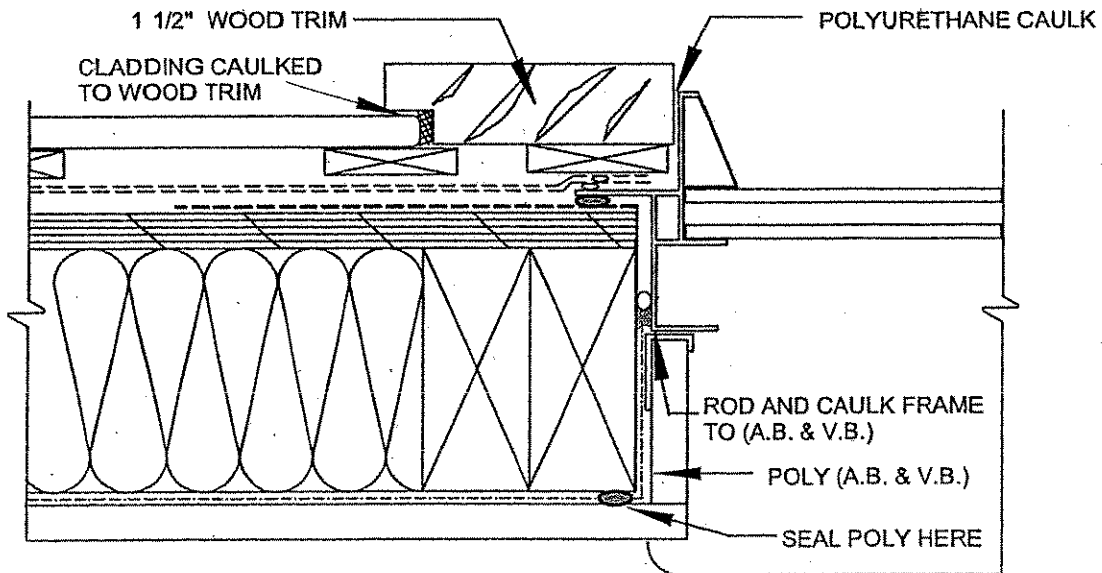


Window Head (section)	NTS	Detail
Warranty Provider Accepted	March 2007	3.1

B.P. TO EXTEND OVER WINDOW FLANGE
SEAL TO FLANGE WITH APPROVED SEALANT



WINDOW JAMB WITH 3/4" TRIM



WINDOW JAMB WITH 1 1/2" TRIM

Window Jamb (section)

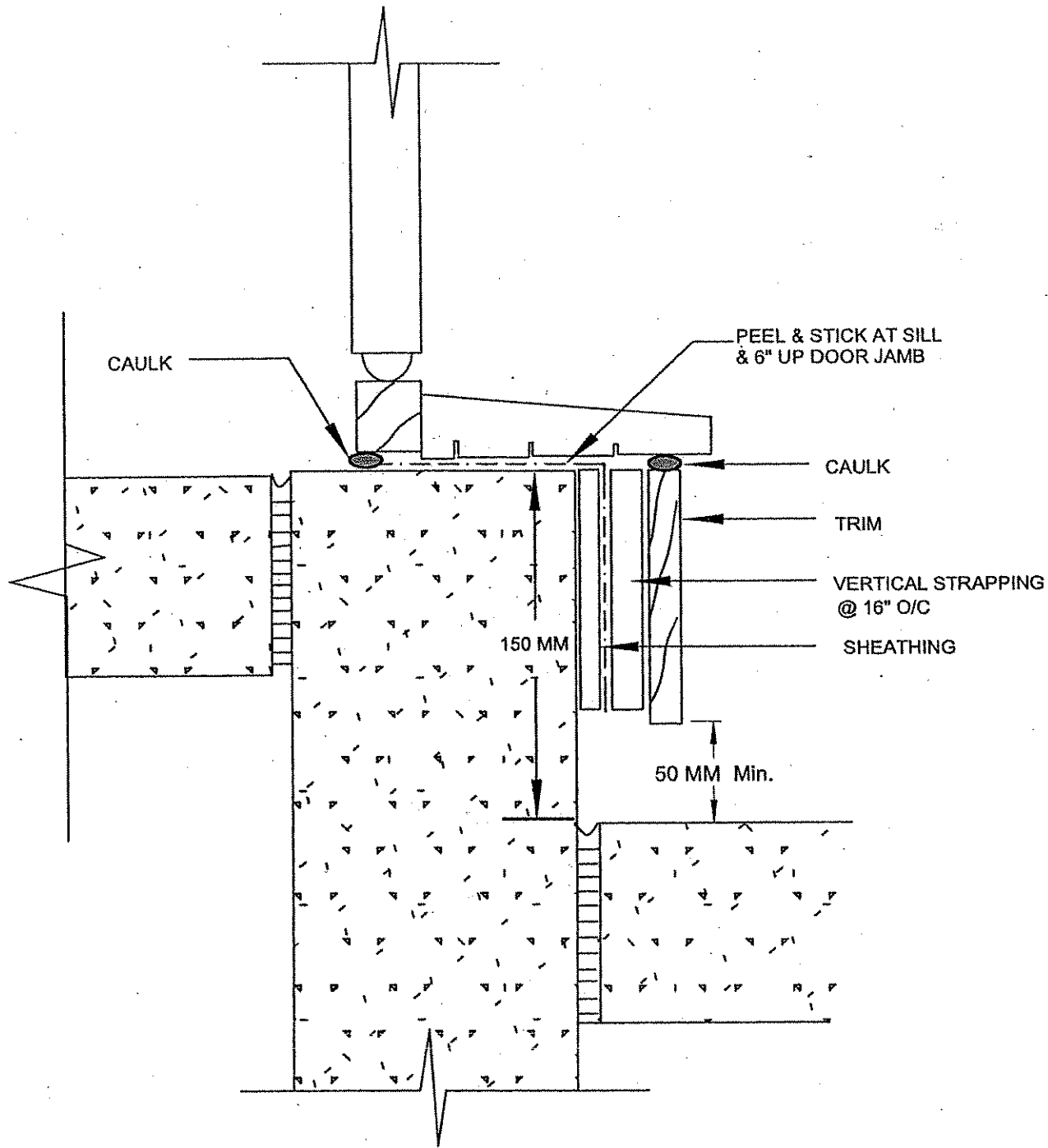
NTS

Detail

Warranty Provider Accepted

March 2007

3.2



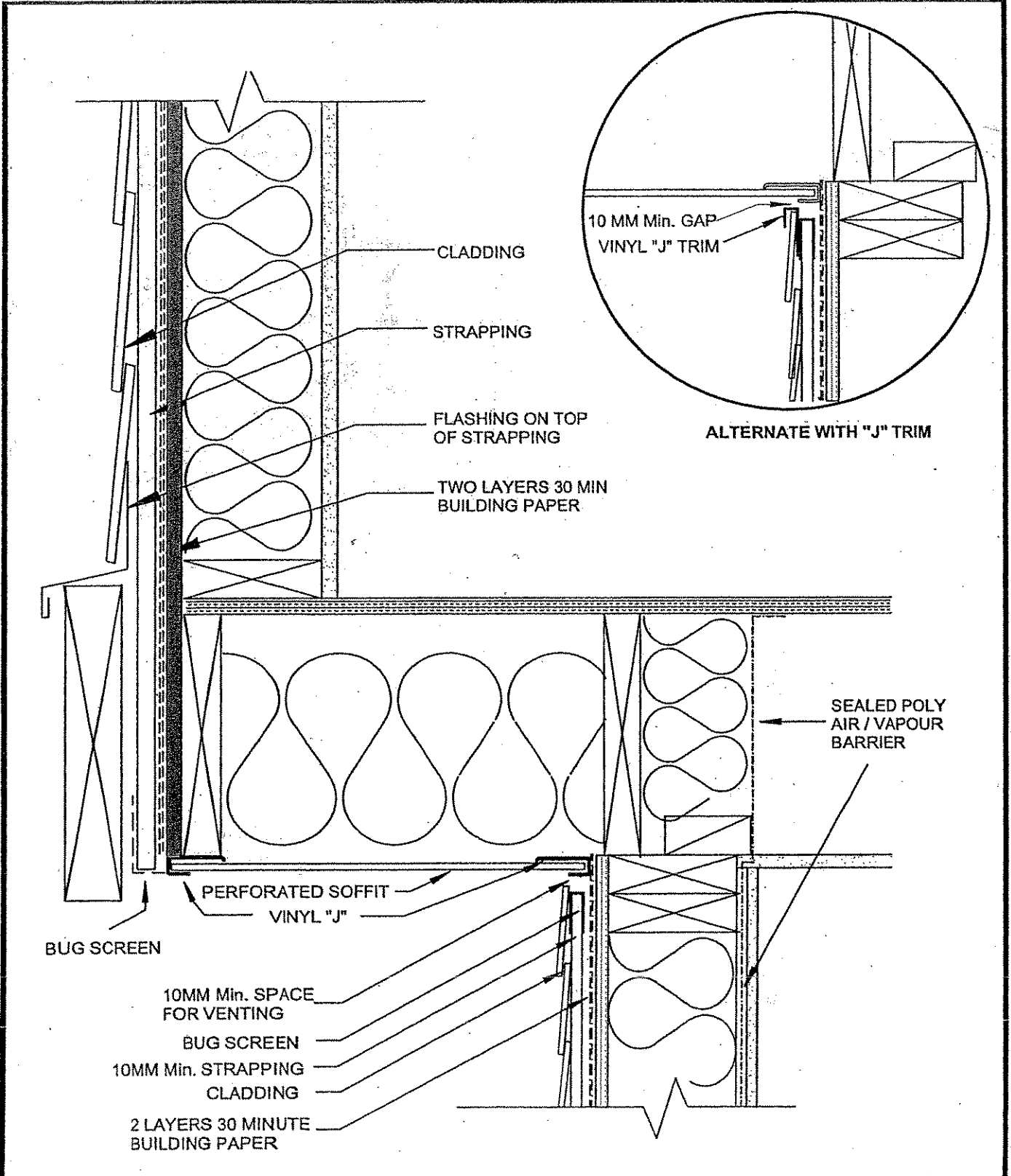
Entry Door Sill

Warranty Provider Accepted

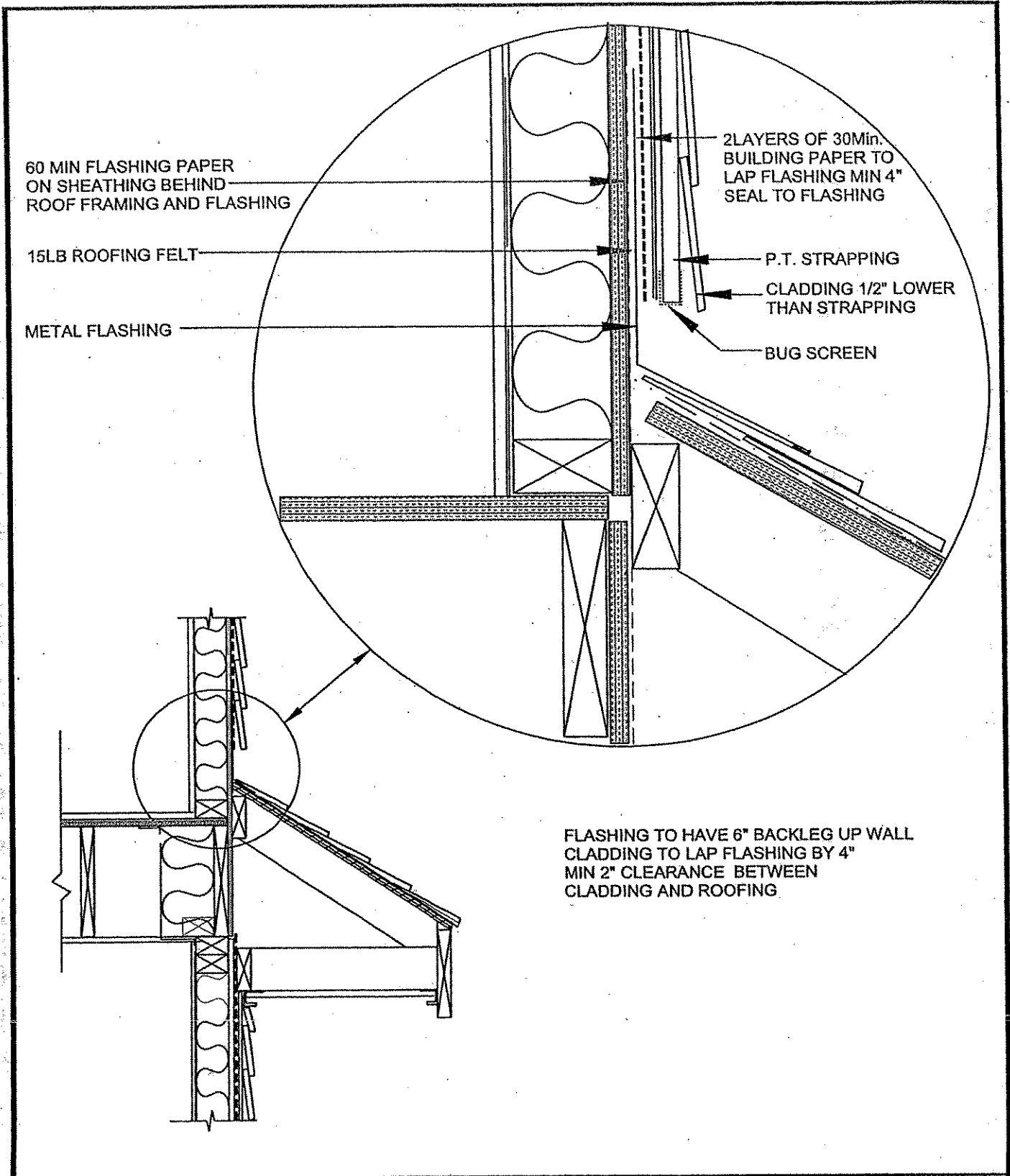
NTS

March 2007

Detail
4.0

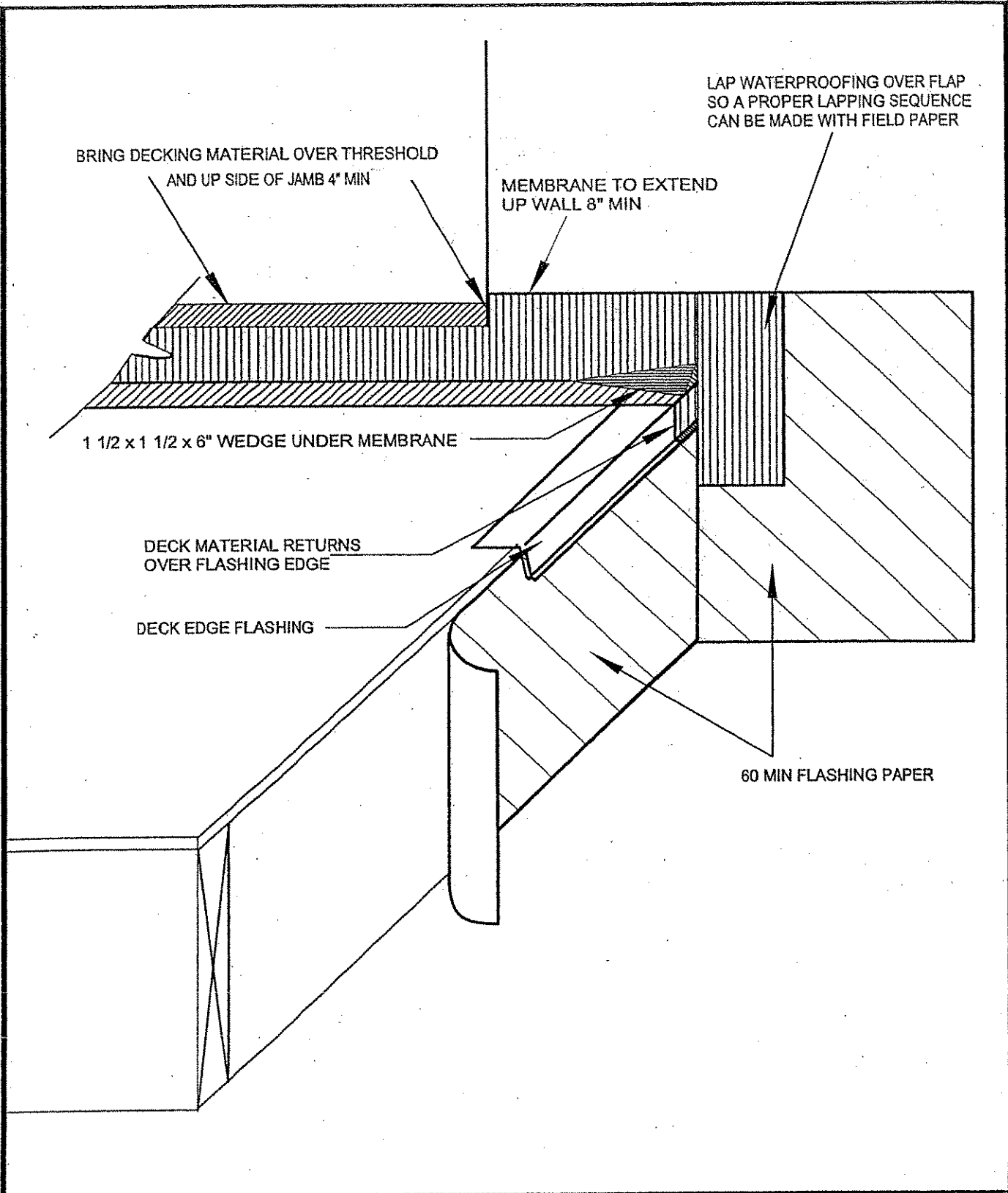


Bottom & top of Walls at Cantilever	NTS	Detail
Warranty Provider Accepted	March 2007	5.0



FLASHING TO HAVE 6" BACKLEG UP WALL
 CLADDING TO LAP FLASHING BY 4"
 MIN 2" CLEARANCE BETWEEN
 CLADDING AND ROOFING

Roof to Wall Intersection	NTS	Detail 5.1
Warranty Provider Accepted	March 2007	



Deck to Wall Interface

NTS

Detail
5.2

Warranty Provider Accepted

March 2007

VIINYL OUTSIDE CORNER TRIM

TWO LAYERS OF BUILDING PAPER
DOUBLE LAPPED AT CORNERS

CLADDING

FOR
VINYL
SIDING

TWO LAYERS OF BUILDING PAPER
DOUBLE LAPPED AT CORNERS

CLADDING

VINYL INSIDE CORNER TRIM
(BACK TO BACK STOPS
WILL NOT BE ACCEPTED)

LEAVE 10MM GAP IN CORNER

STRIP OF 60 MINUTE BUILDING
PAPER ON TOP OF STRAPPING

CAULK CLADDING TO 2 X 2

ALL LAYERS OF BUILDING PAPER TO
LAP AROUND THE CORNER BY 6" min.

FOR SIDING

1
X
4

1 X 4

STRIP OF 60 MINUTE BUILDING
PAPER ON TOP OF STRAPPING

LEAVE GAP IN STRAPPING AT CORNER

CAULK

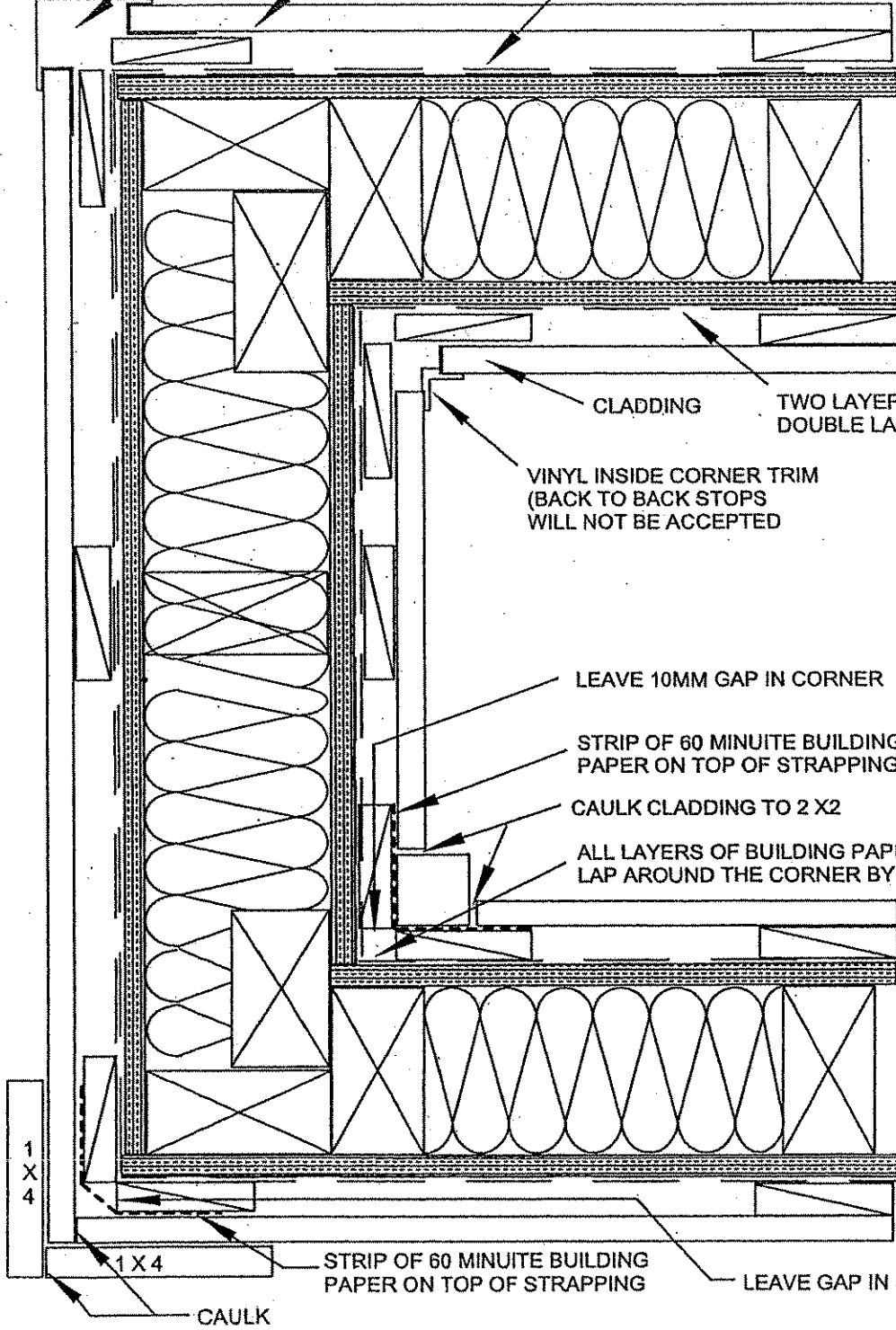
Typical Corners

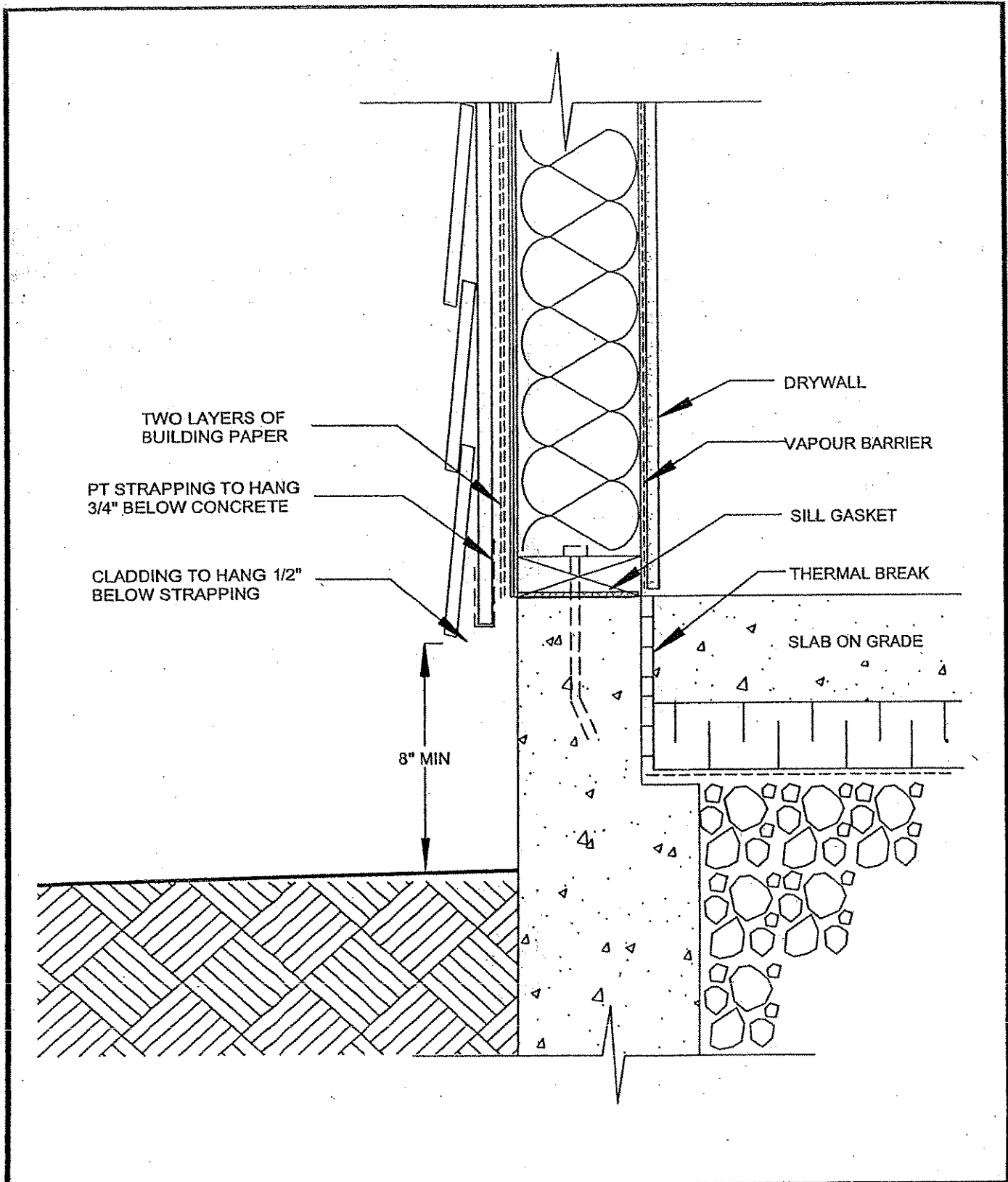
NTS

Detail
6.0

Warranty Provider Accepted

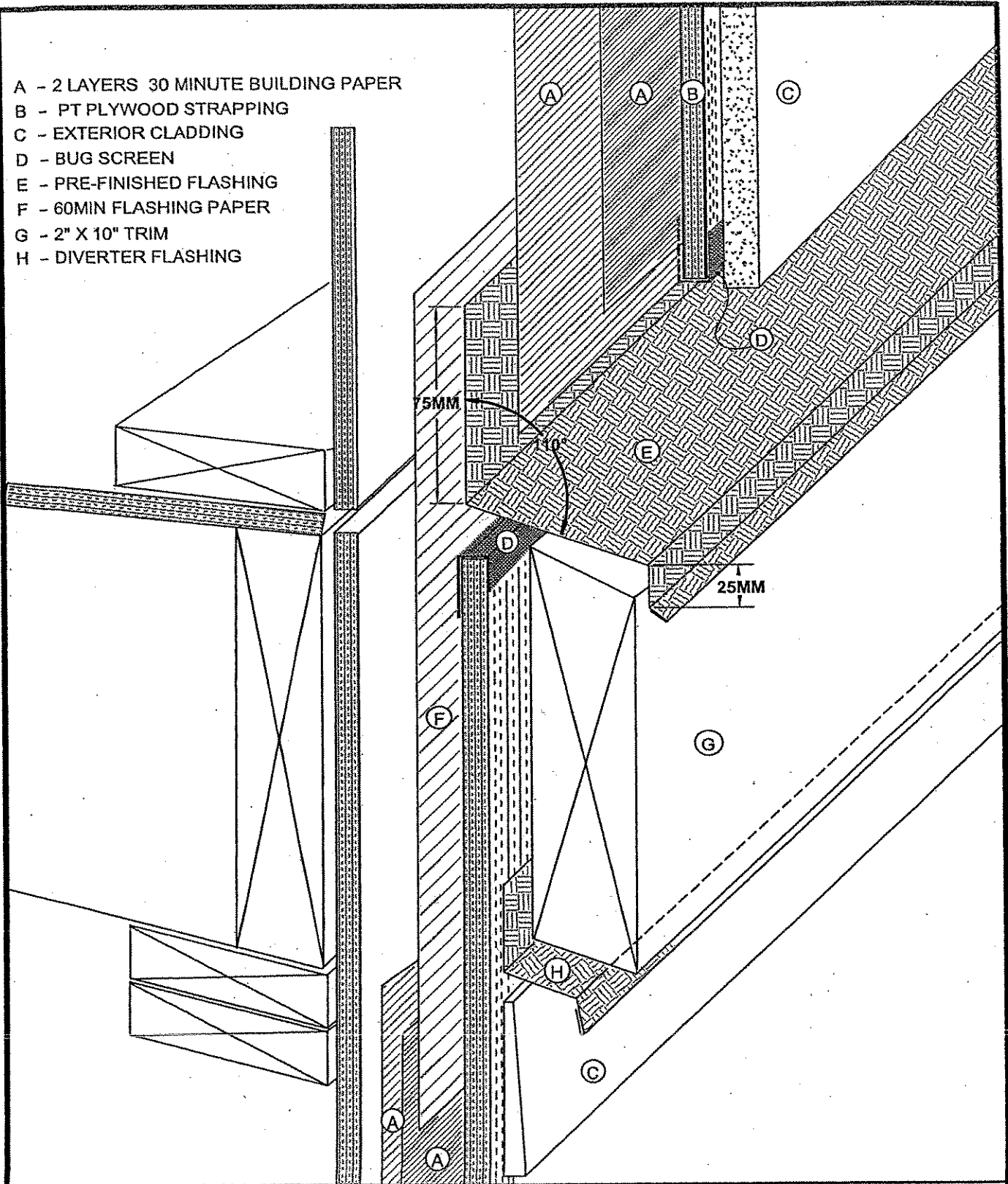
March 2007





Base of Wall	NTS	Detail 7.0
Warranty Provider Accepted		
	March 2007	

- A - 2 LAYERS 30 MINUTE BUILDING PAPER
- B - PT PLYWOOD STRAPPING
- C - EXTERIOR CLADDING
- D - BUG SCREEN
- E - PRE-FINISHED FLASHING
- F - 60MIN FLASHING PAPER
- G - 2" X 10" TRIM
- H - DIVERTER FLASHING



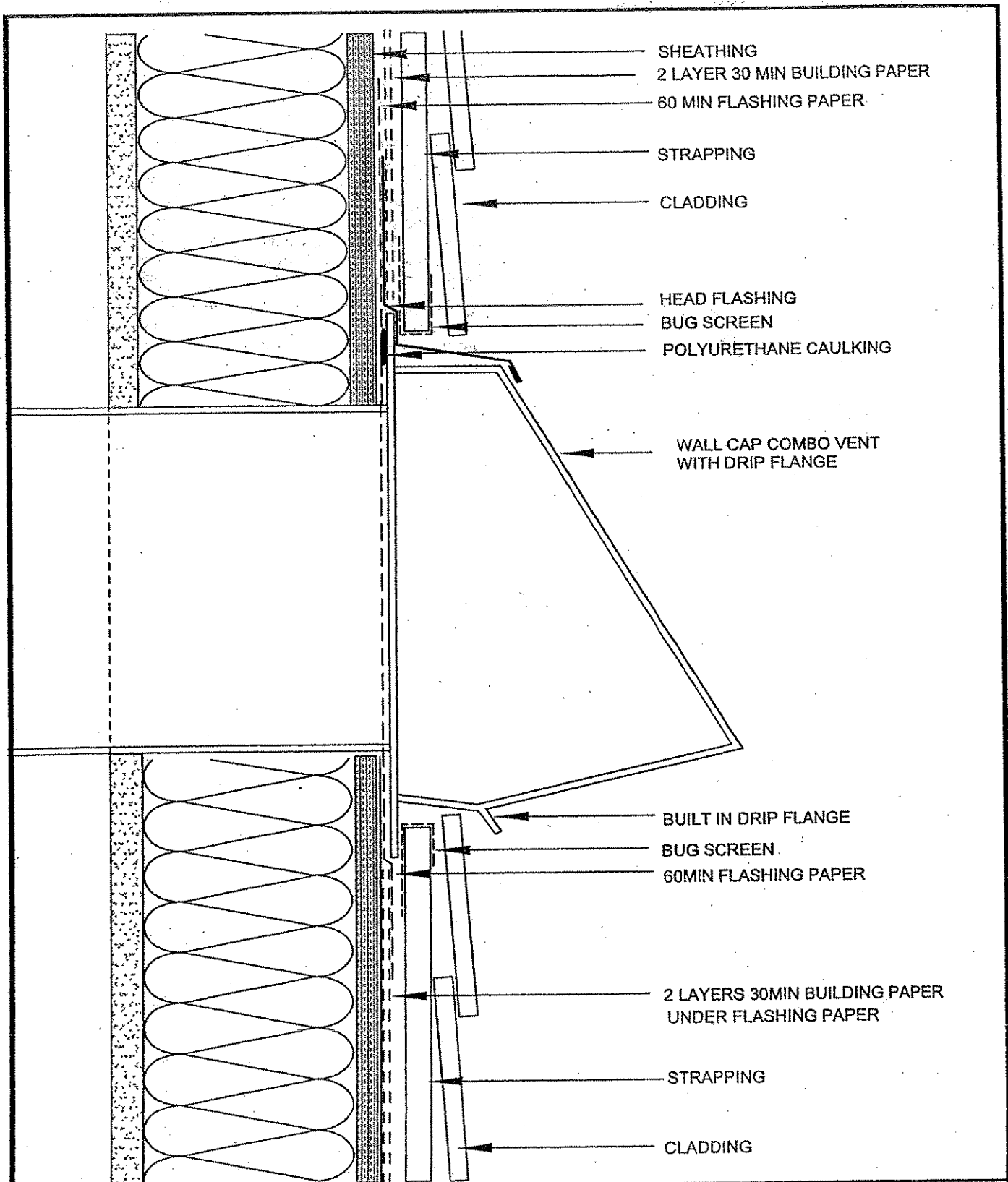
Through Wall Flashing & Band Board

NTS

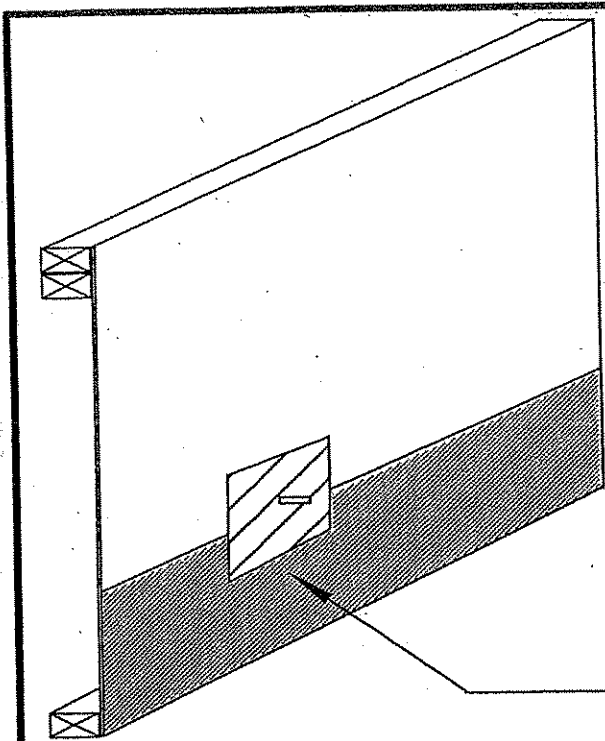
Warranty Provider Accepted

March 2007

Detail
8.1



Vent Cap Installation	NTS	Detail 9.1
Warranty Provider Accepted	March 2007	



Drill or punch (do NOT cut with a knife) a 1/4" hole in the middle of a 12" x 12" square of EPDM rubber roofing membrane and push the pipe through it. IT MUST MAKE A TIGHT FIT.

Place the pipe in the wall and staple only the top of the membrane to the wall sheathing. Solder the pipe into the plumbing system at the inside of the wall. Take care not to heat the EPDM membrane.

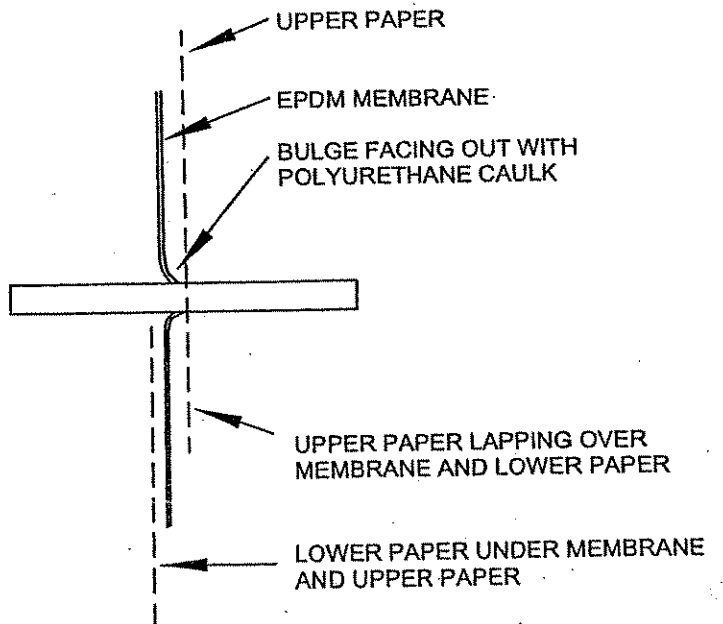
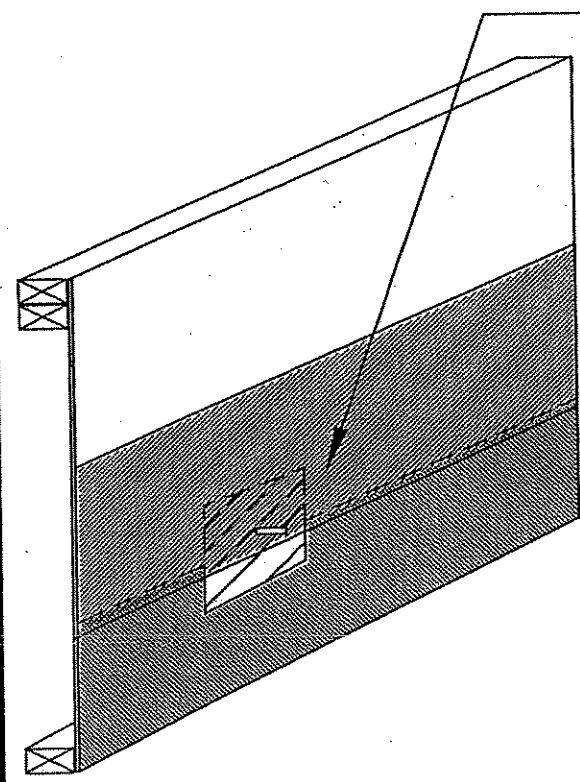
When applying the building paper, pull the bottom of the EPDM membrane outwards and then push it back along the pipe so it bulges OUT NOT IN at the pipe. Seal the membrane to the pipe with polyurethane caulk.

Apply the lower paper under the membrane and the upper paper over the membrane as shown. Be sure that the upper paper laps over the joint between the lower paper and the membrane by at least 4" as shown.

Trim out the hose bib at the cladding line with an approved vinyl trim kit.

LOWER PAPER UNDER THE EPDM MEMBRANE

UPPER PAPER LAPPED OVER THE MEMBRANE AND THE LOWER PAPER BY 4" Min.



Hose Bib Installation	NTS	Detail 9.2
Warranty Provider Accepted	March 2007	

ALL ELECTRICAL BOXES MUST HAVE GASKETS AND FLANGES

Attach the flanged box on the wall with a piece of strapping behind the flange.

Apply polyurethane caulk to the flange of the box.

Cut a hole 1" smaller in both directions than the size of the opening in the box in the middle of a 12" x 12" square of EPDM rubber roofing membrane.

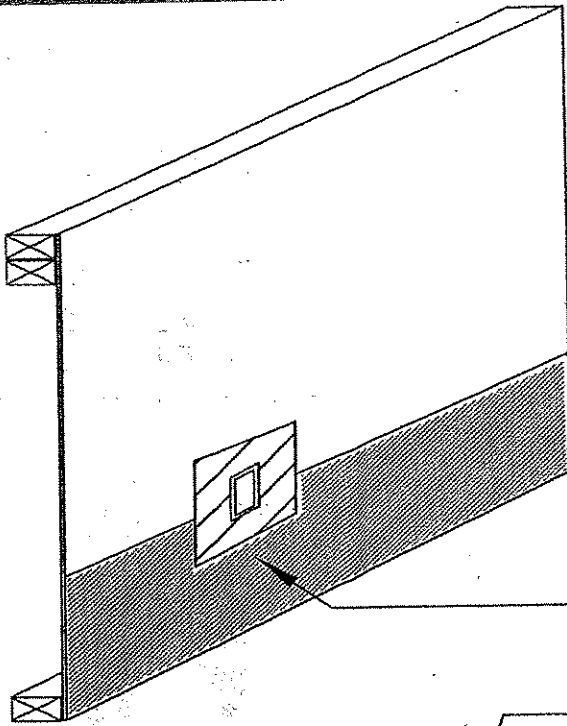
Stretch the membrane over the opening of the box and seal it to the flange.

IT MUST BE A TIGHT FIT,

Staple only the top of the membrane to the wall.

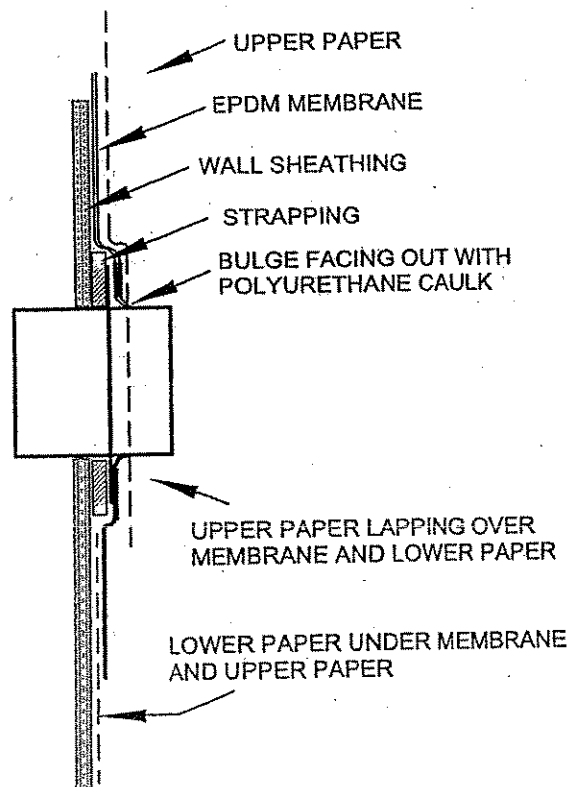
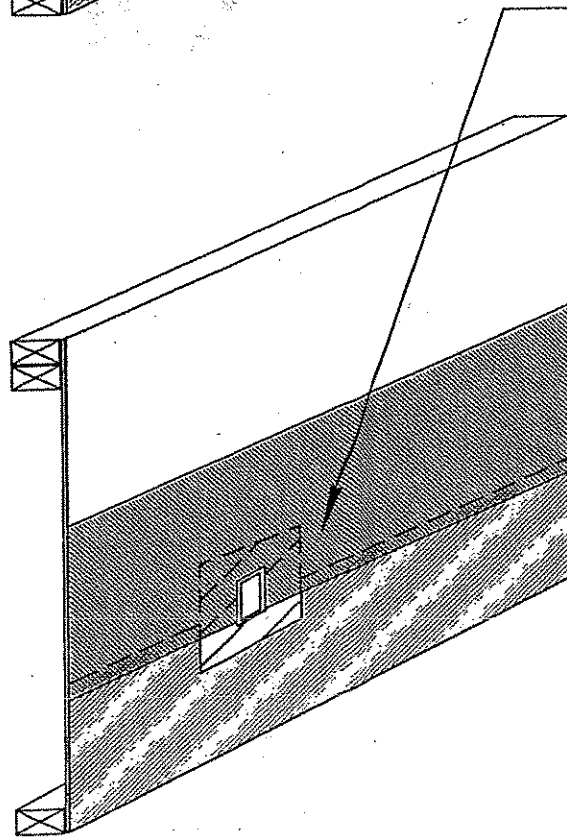
Apply the lower paper under the membrane and the upper paper over the membrane as shown. Be sure that the upper paper laps over the joint between the lower paper and the membrane by at least 4" as shown.

Trim out the electrical box at the cladding line with an approved vinyl trim kit.



LOWER PAPER UNDER THE EPDM MEMBRANE

UPPER PAPER LAPPED OVER THE MEMBRANE AND THE LOWER PAPER BY 4" Min.



Electrical Box Installation

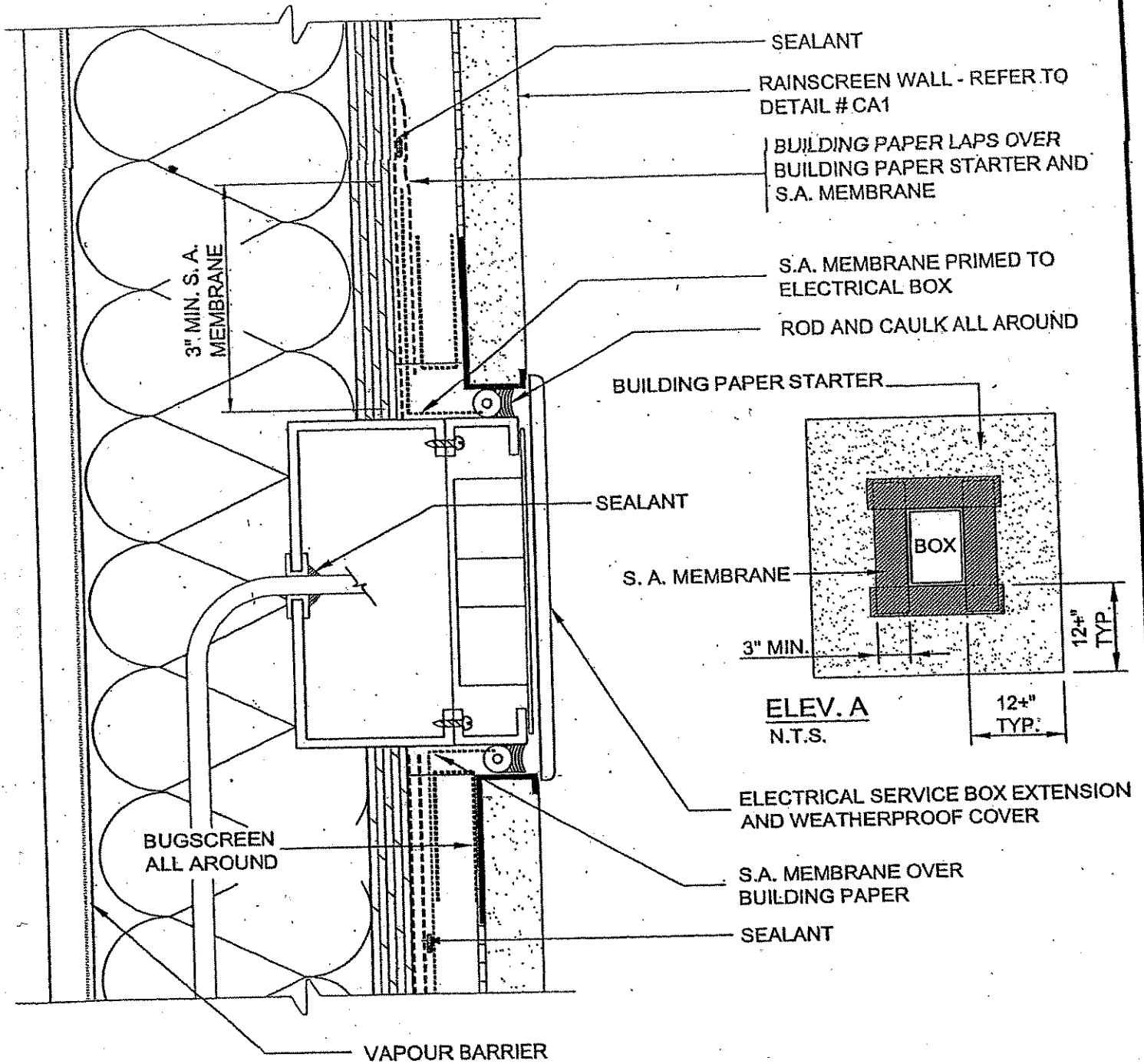
NTS

Detail

Warranty Provider Accepted

9.3

March 2007



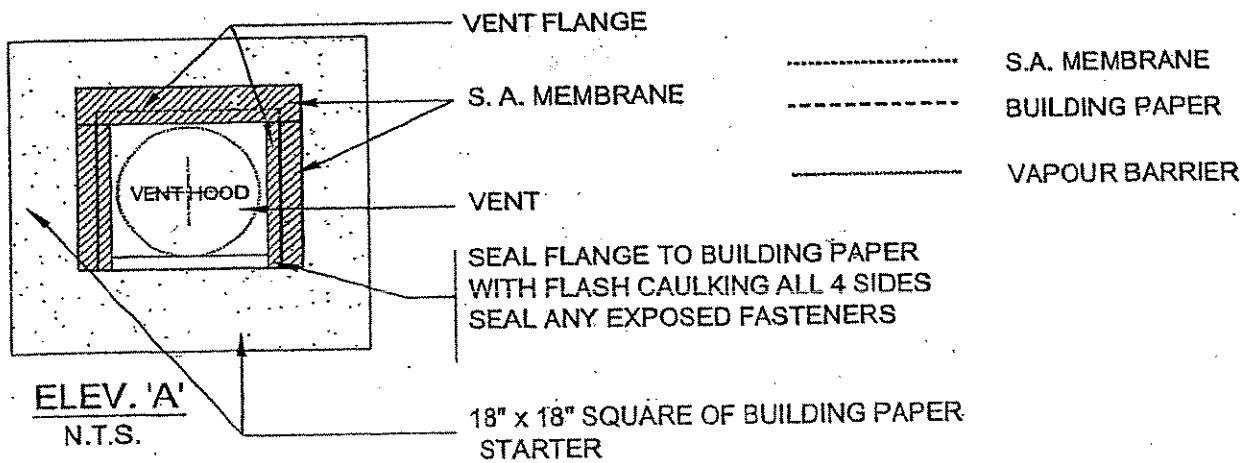
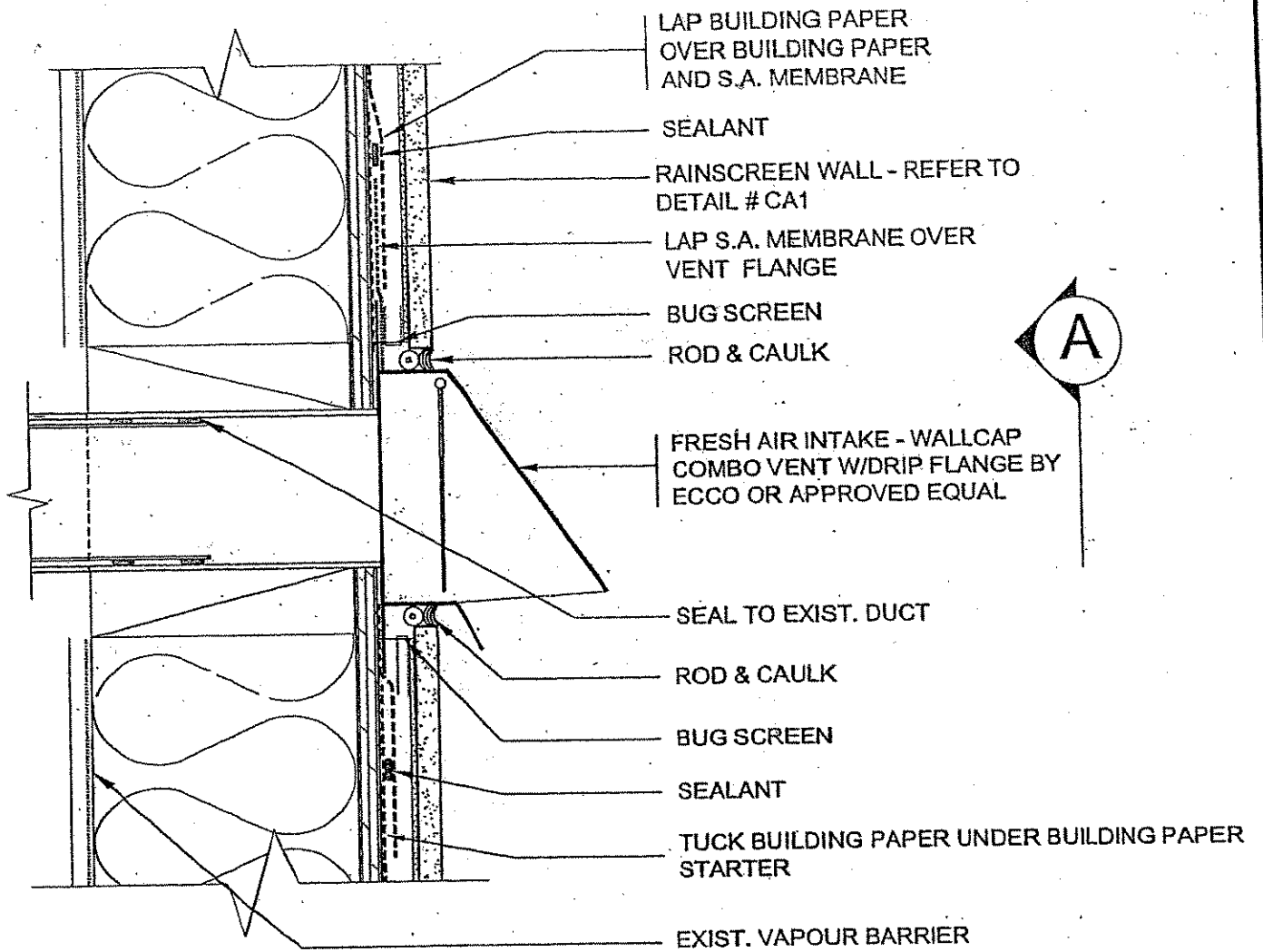
NOTES:

1. ELECTRICAL BOX PROFILE MAY VARY.
2. FLASHING PAPER TO BE 12" WIDER THAN BOX ALL AROUND.
3. REFER TO DETAIL # CA1 FOR DISCLAIMER AND LIMITATIONS.

- S.A. MEMBRANE
- BUILDING PAPER
- VAPOUR BARRIER

S-AP018

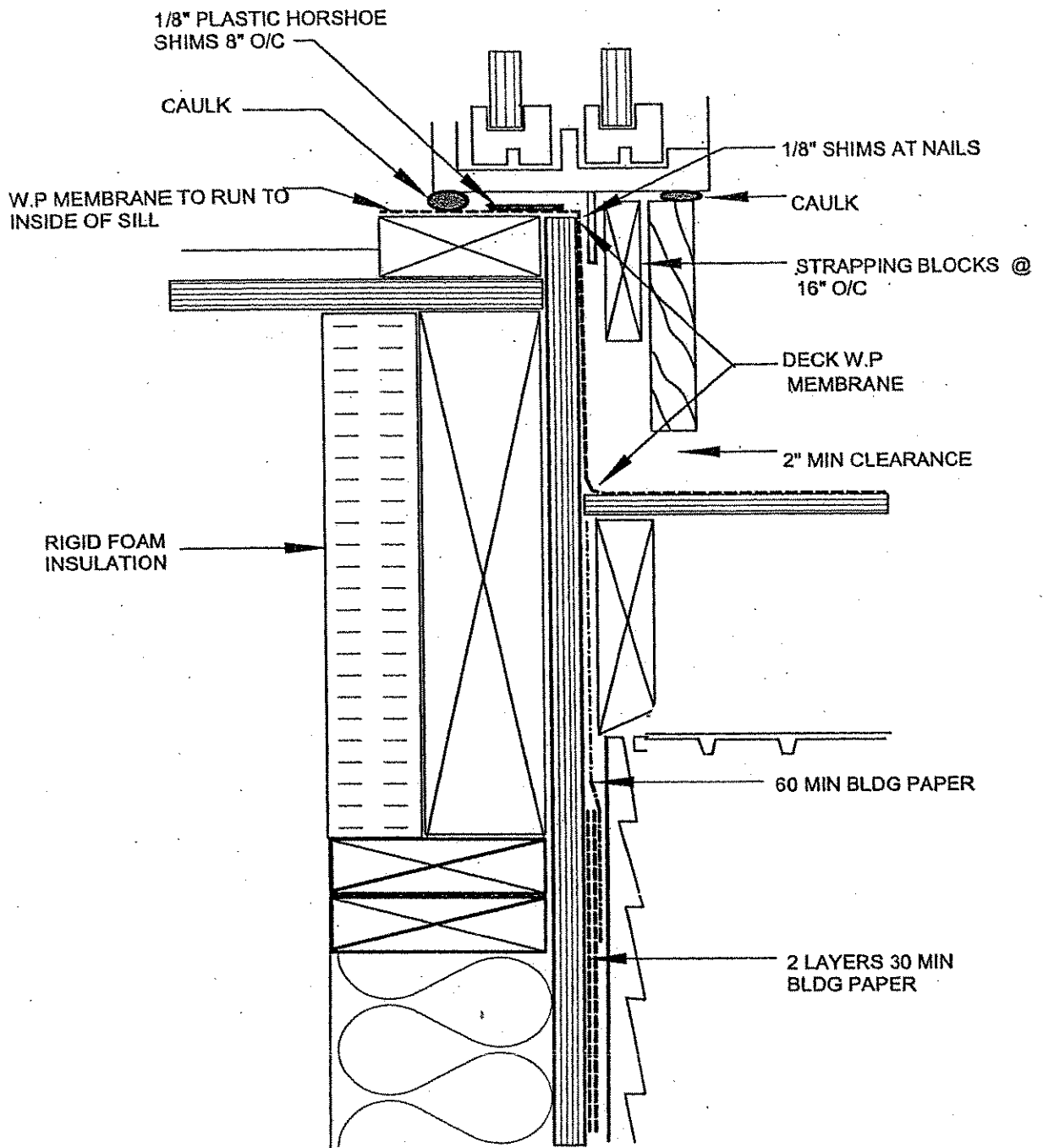
PROJECT	DATE	SEAL
	SCALE	
TITLE	DRAWN	DWG. No. 11
	CH'D.	
	APP. #	
Electrical Box		



NOTES:
 (1) REFER TO DETAIL # CA1 FOR DISCLAIMER AND LIMITATIONS.

S-AP027

	PROJECT	DATE	SEAL
		SCALE	
		DRAWN	
	TITLE	CH'D.	



Sliding Door Sill at Deck

NTS

D-2

SEALANT

BUILDING PAPER FROM WALL
ABOVE LAPS OVER FLASHING;
BUILDING PAPER FROM WALL
BELOW FITS UNDER FLASHING

FLOOR LINE

1/2"

20°

2 1/2"

26 Ga. PREFINISHED CROSS
CAVITY FLASHING - SEE DETAILS
51 & 52

BUG SCREEN

BUG SCREEN

1/2" MIN.

RAINSCREEN WALL - REFER TO DETAIL
CA1

VAPOUR BARRIER

NOTES:

1. REFER TO DETAIL # CA1 FOR DISCLAIMER AND LIMITATIONS.
2. CROSS CAVITY FLASHINGS MAY NOT BE LOCATED EXCLUSIVELY AT FLOOR LINES. REFER TO ELEVATIONS.
3. PROVIDE MIN. 1/2" CLEARANCE BETWEEN FLASHING AND STUCCO (TYP. FOR ALL VENTING LOCATIONS).

S-WT082

PROJECT

DATE

SEAL

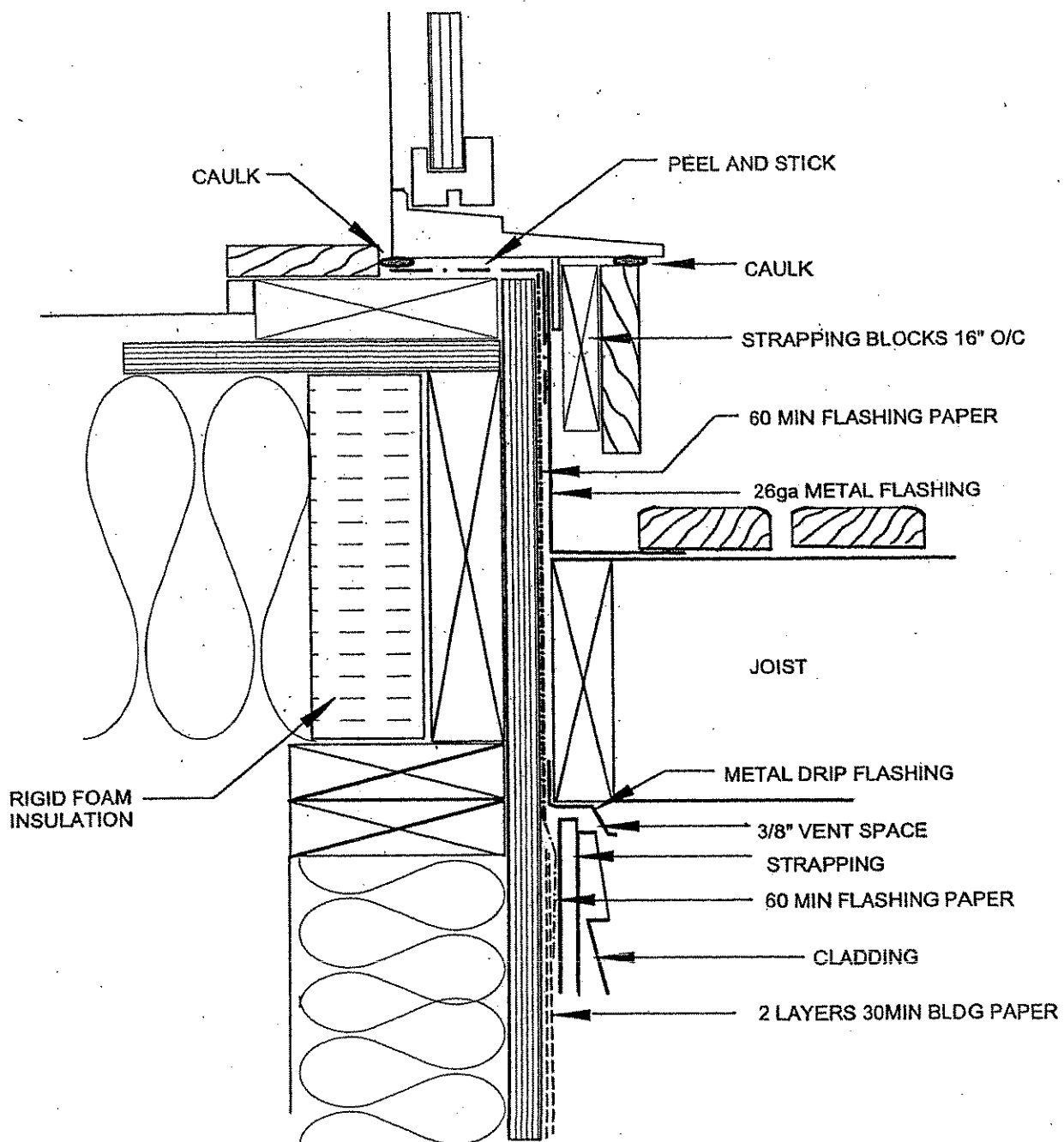
SCALE

DRAWN

TITLE

CH'D.

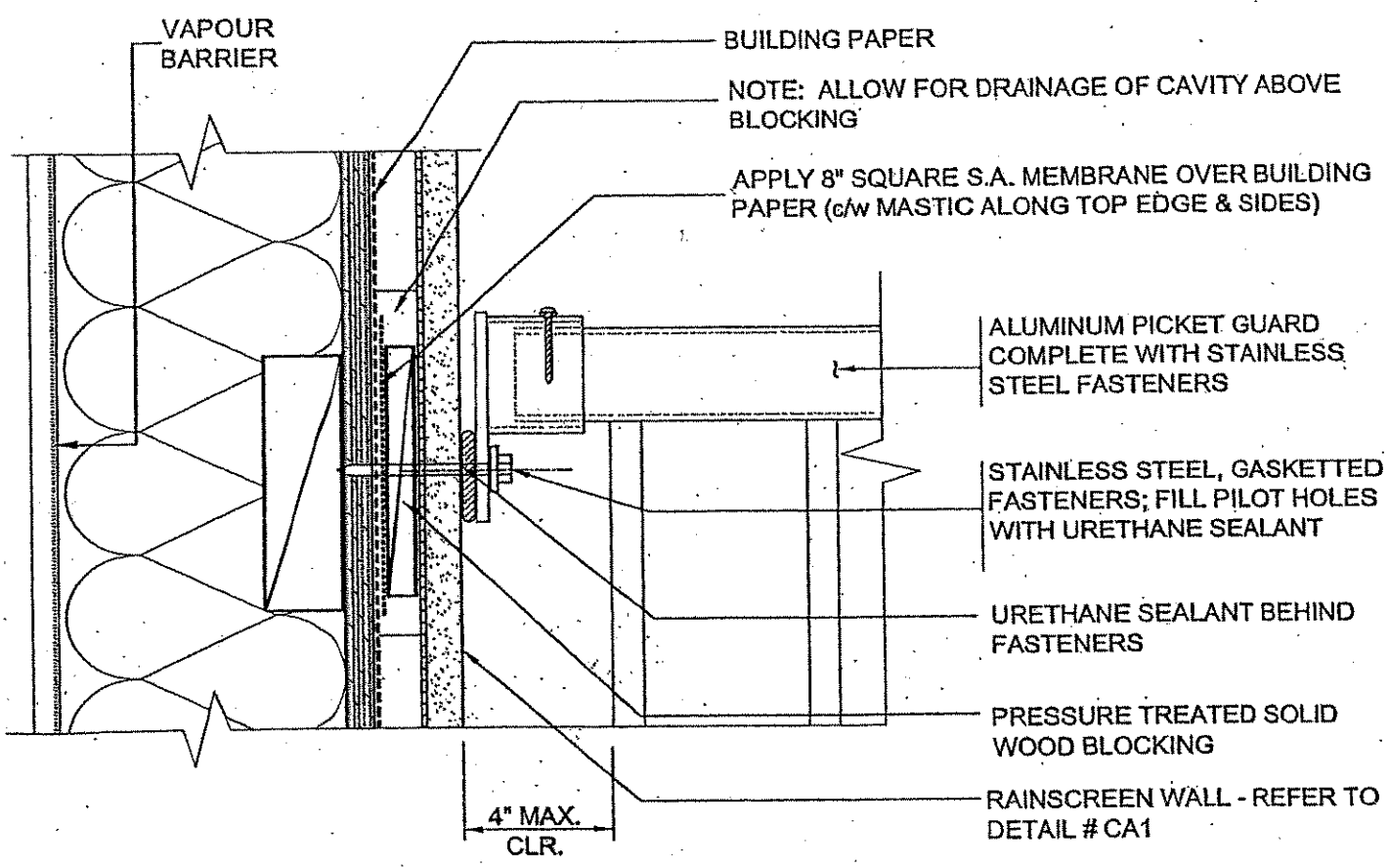
Cross Cavity Flashing



Patio Door at Drip Through Deck

NTS

D-3



VAPOUR BARRIER

BUILDING PAPER

NOTE: ALLOW FOR DRAINAGE OF CAVITY ABOVE BLOCKING

APPLY 8" SQUARE S.A. MEMBRANE OVER BUILDING PAPER (c/w MASTIC ALONG TOP EDGE & SIDES)

ALUMINUM PICKET GUARD COMPLETE WITH STAINLESS STEEL FASTENERS

STAINLESS STEEL, GASKETTED FASTENERS; FILL PILOT HOLES WITH URETHANE SEALANT

URETHANE SEALANT BEHIND FASTENERS

PRESSURE TREATED SOLID WOOD BLOCKING

RAINSCREEN WALL - REFER TO DETAIL # CA1

4" MAX. CLR.

----- S.A. MEMBRANE
 ----- BUILDING PAPER
 ----- VAPOUR BARRIER

NOTES:
 (1) REFER TO DETAIL # CA1 FOR DISCLAIMER AND LIMITATIONS.

S-AP026

	PROJECT	DATE	SEAL
		SCALE	
		DRAWN	
	TITLE	CH'D.	

DIVERTER STEP FLASHING DETAIL

(F1)

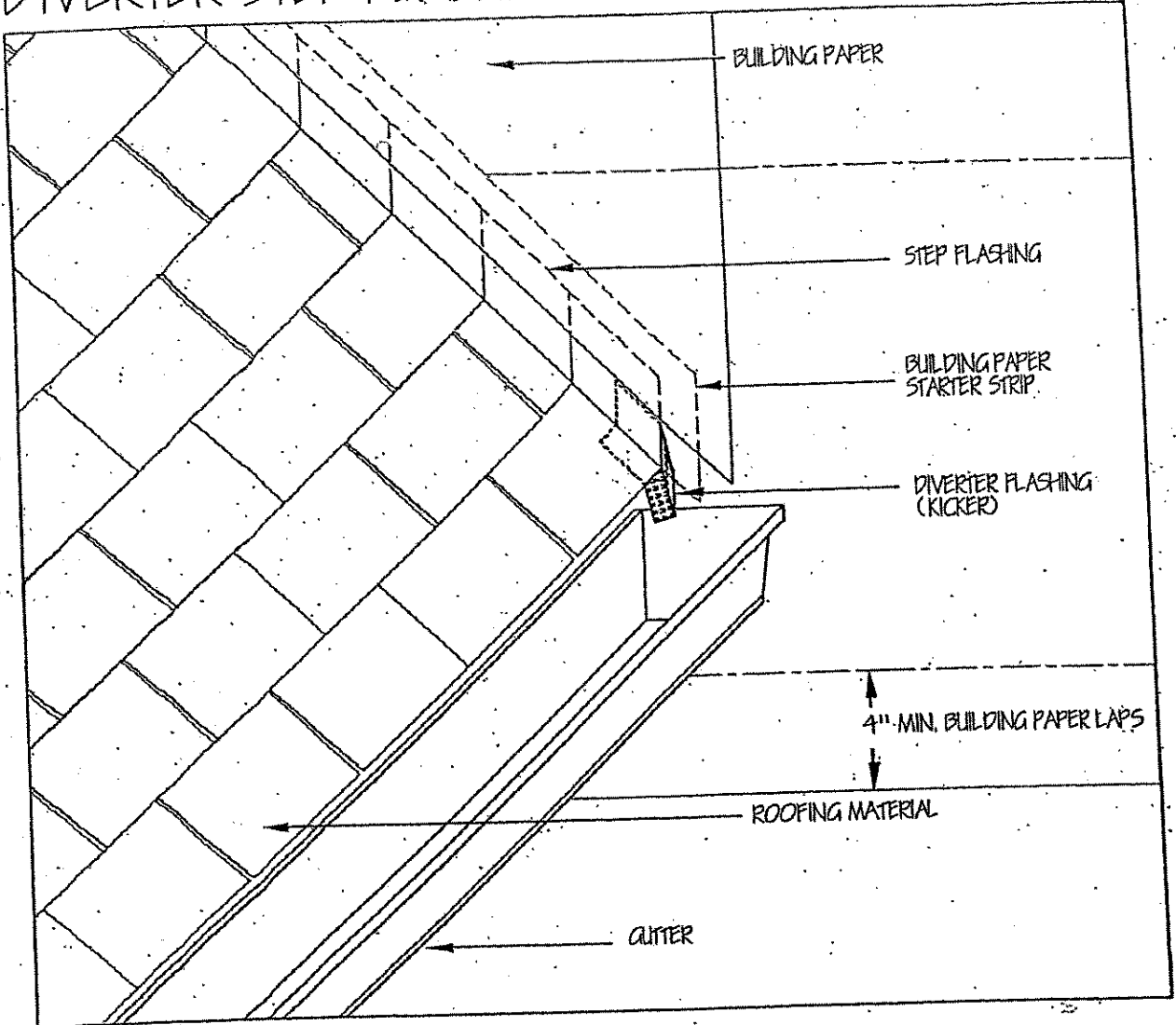


ILLUSTRATION POINTS:

- i) The area of concern is water running down the step flashing and being directed behind the cladding. Typically the gutter is installed after the cladding thereby creating a space between the final step flashing and the gutter. The installation of a diverter (kicker) flashing will ensure that the water is directed into the gutter, and not behind the cladding.
- ii) Building paper should be installed behind the fascia board, as should roofing felt behind the step flashings.
- iii) The diverter (kicker) flashing can be formed out of any flashing material and slipped up behind the final step flashing. Ensure that the diverter is not created by cutting the flashing material, as it may create a pin hole which will still allow some amount of water to pass.
- iv) Maintain a minimum clearance of 2" between the bottom of the cladding and the roof surface.